

NOTE:ALL MATERIAL COMPLIANT ROHS STANDARD

REVISION INFORMATION

Rev.	Rev. Date	Modified By	Brief Description

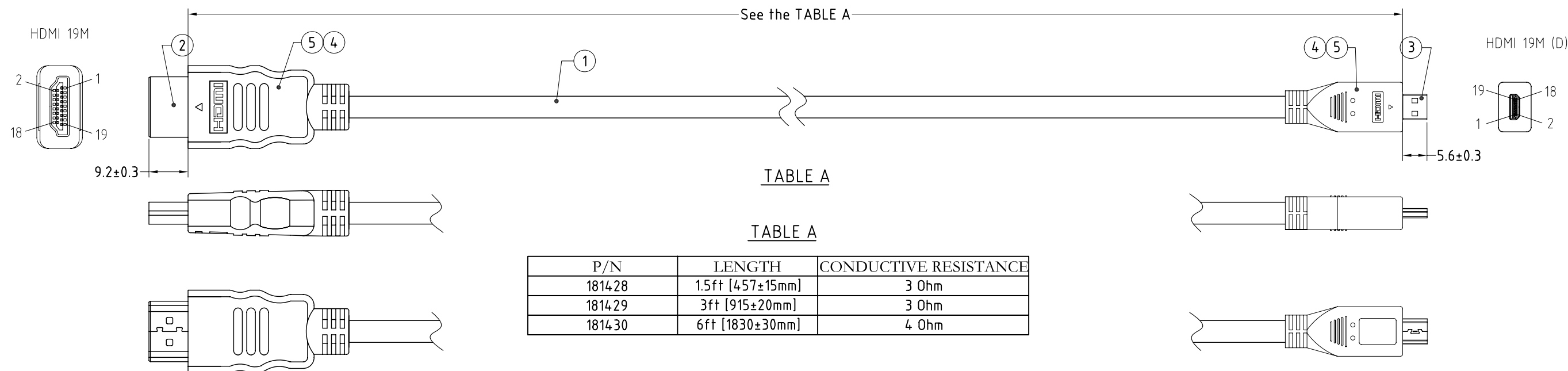
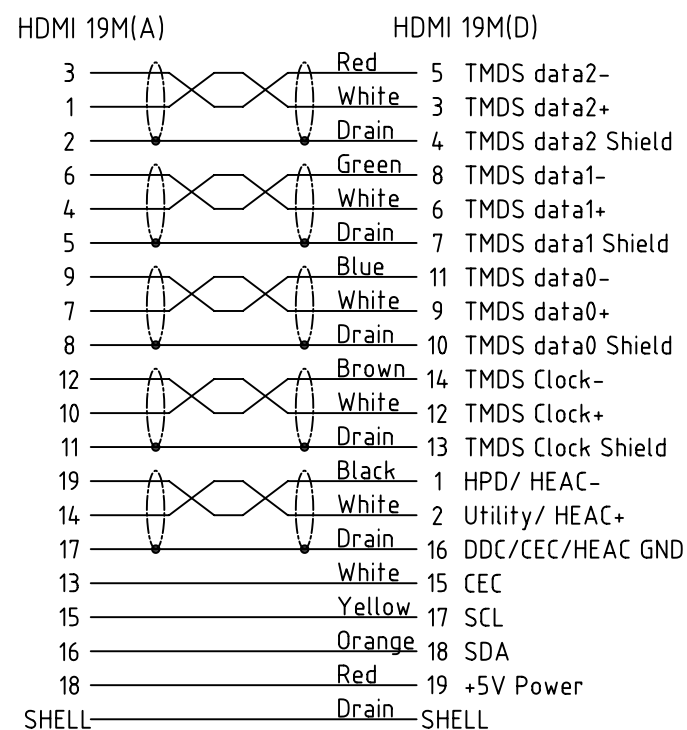


TABLE A

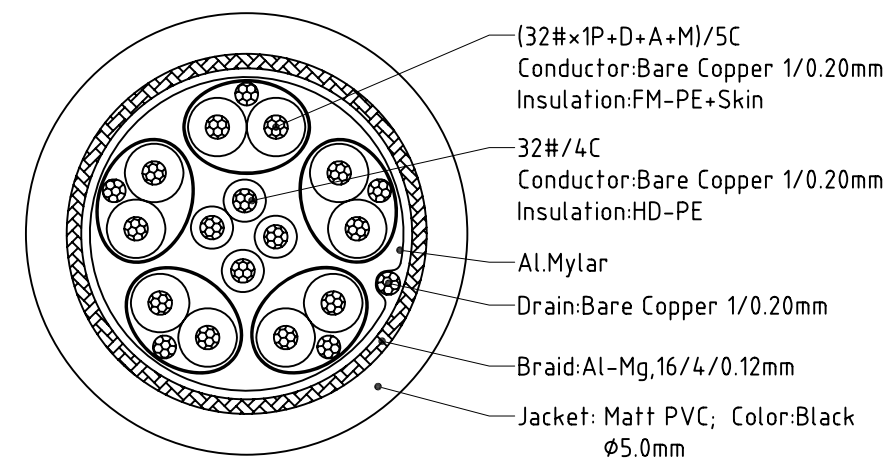
TABLE A

P/N	LENGTH	CONDUCTIVE RESISTANCE
181428	1.5ft [457±15mm]	3 Ohm
181429	3ft [915±20mm]	3 Ohm
181430	6ft [1830±30mm]	4 Ohm

PIN ASSIGNMENT(1.4v)



Wire Details



Marking:(White)  
High Speed HDMI™ Cable with Ethernet E361560 兎 AWM  
STYLE 20276 80℃ 30V VW-1

Electrical character:

- 1)100% Open/short/Intermittent testing
- 2)Withstanding voltage:AC/DC 300V AT 10ms.
- 3)Insulation resistance:10M Ohm(min)
- 4)Residual operating current:
  - a.<1.M=0.5mA; b.1.0~2.0M=1.0mA;
  - c.2.0~3.0M=2.0mA; d.3.0~5.0M=3.0mA;
  - e.5.0~10M=5.0mA; f.10~15M=7.0mA;
- 5)Conductive resistance:See the TABLE A
- 6)Support 3D、4K@60Hz

NO.	PART NAME	SPECIFICATION DESCRIPTION	QTY	UNIT
①	Cable	UL20276[32#(1/0.20BC)/1P+D+A+M]/5C+32#(1/0.203BC)/4C+A+E+B(16/4/0.12,Al-Mg) OD:5.0mm Jacket: Black PVC		
②	HDMI_Conn	HDMI A/M,PIN G/F,Black Insulation,Steel-Shell(G/F Plated),Solder type		
③	MICRO HDMI_Conn	HDMI D/M,PIN G/F,Black Insulation,Shell(G/F Plated),Solder type		
④	Innermold	PE,Low density		
⑤	Overmold	PVC,45Pa,Black		

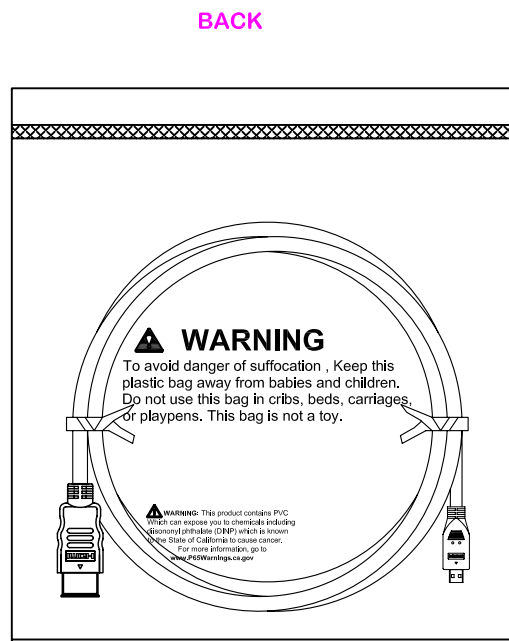
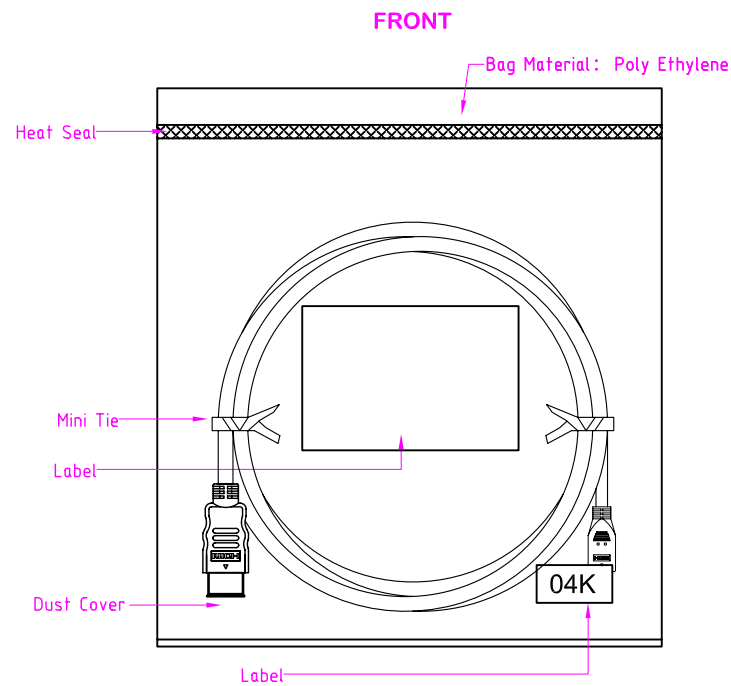
Unless specified on the drawing, tolerances are per the follows:

.	+1
.x	+0.2
.xx	+0.05

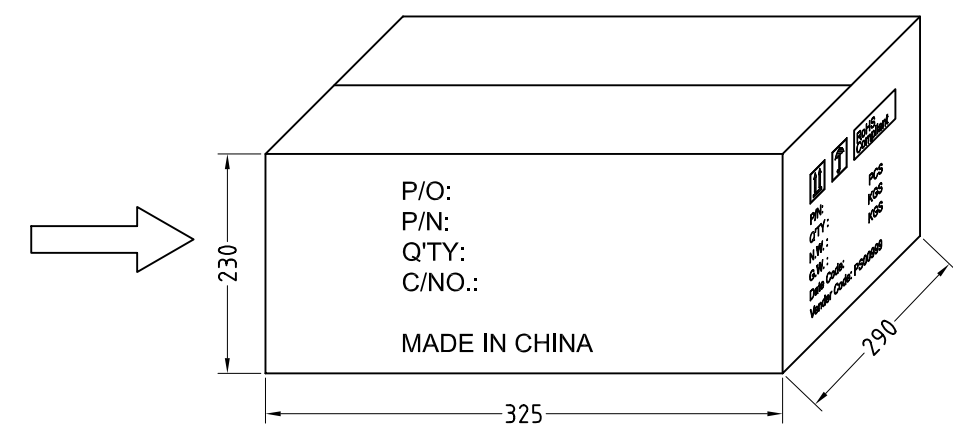
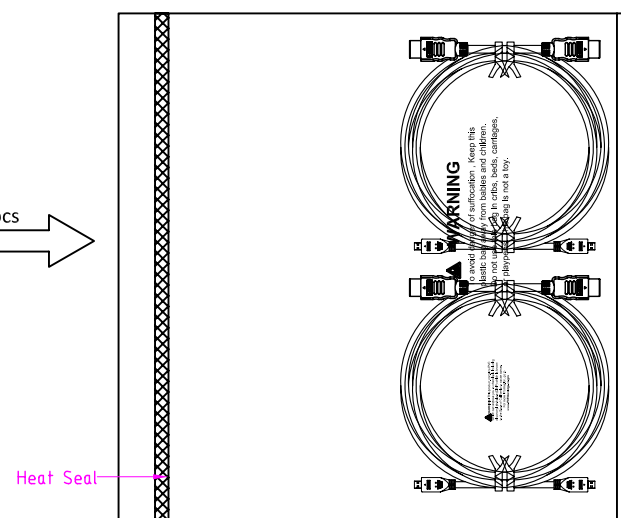
DRAWN BY	DATE: 19/10/07	DESCRIPTION: HDMI A/M TO MICRO HDMI M Cable
CHECKED BY	SHEET 1 of 2	ITEM NO. 181428,181429,181430
APPROVED BY	SCALE None	REV. 0.0    UNIT:mm

NOTE: CARTON MATERIAL MUST BE A=A

REVISION INFORMATION			
Rev.	Rev. Date	Modified By	Brief Description



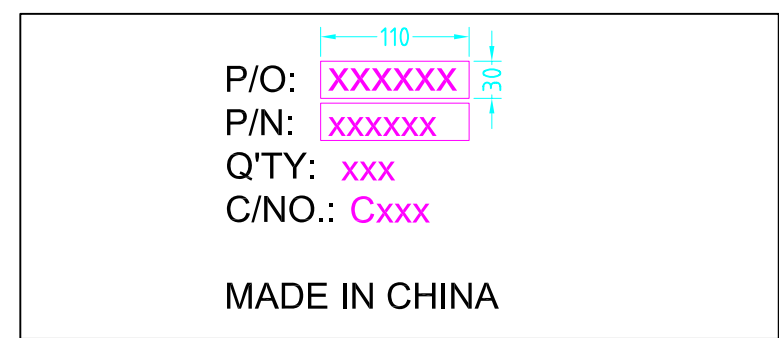
10pcs →



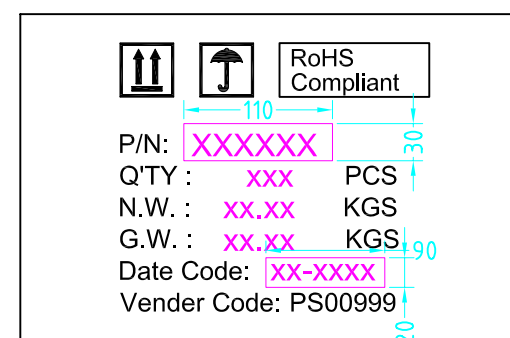
**Packing Instruction:**

1. First of all, protect the connector with dust covers, coil the cable (see attached). Secure the cable with cable tie, and then pack each cable with an individual PE bag, 10 pcs cable in a clear big bag, The label is attached to the PE bag.
2. Seal the PE bag with heat sealing machine.
3. Use a waterproof bag to pack the products before going into master carton. Make sure each individual cable is staggered and positioned tidily. A paperboard is needed in both the bottom and the top of the products.
4. See shipping mark on the left.

**MAIN MARK**



**SIDE MARK**



**TABLE B**

P/N	LENGTH	QTY/CTN
181428	1.5ft [457±15mm]	300 PCS
181429	3ft [915±20mm]	200 PCS
181430	6ft [1830±30mm]	120 PCS

Carton Size: 12.80"(L)\*11.42"(W)\*9.06"(H)  
 Carton Quantity: xxx pcs  
 Carton Weight: xx.xx LBS

Label: Size: 60 x 40 mm

Label: Size: 10 x 5 mm

4K/60Hz | 18Gbps | 4:4:4 10bit

High Speed HDMI Cable  
Type A/M to Micro/M

**1.5FT 32AWG**

Made in China

4K/60Hz | 18Gbps | 4:4:4 10bit

High Speed HDMI Cable  
Type A/M to Micro/M

**3FT 32AWG**

Made in China

4K/60Hz | 18Gbps | 4:4:4 10bit

High Speed HDMI Cable  
Type A/M to Micro/M

**6FT 32AWG**

Made in China

DRAWN BY	DATE: 19/10/07	DESCRIPTION: HDMI A/M TO MICRO HDMI M Cable
CHECKED BY	SHEET 2 of 2	ITEM NO. 181428,181429,181430
APPROVED BY	SCALE None	REV. 0.0    UNIT:mm