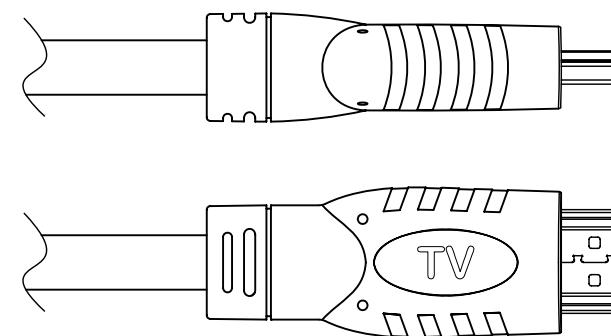
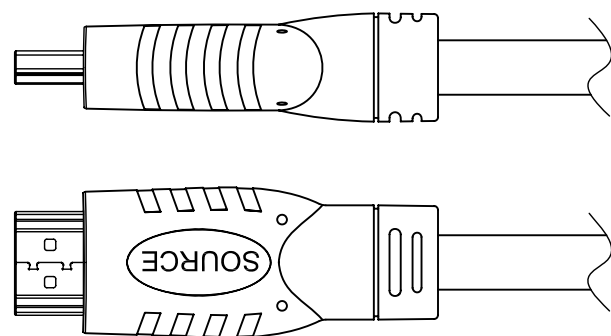
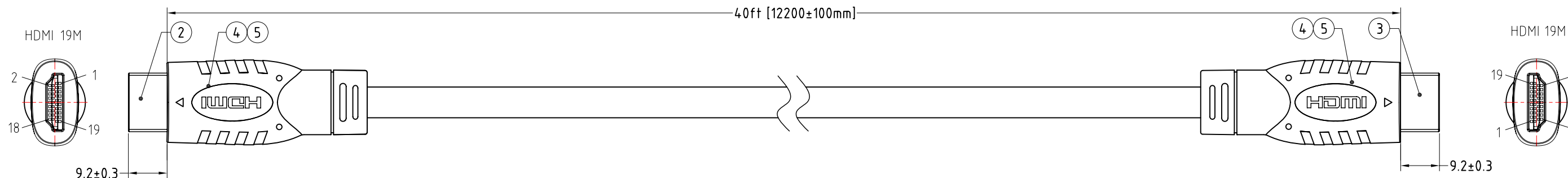
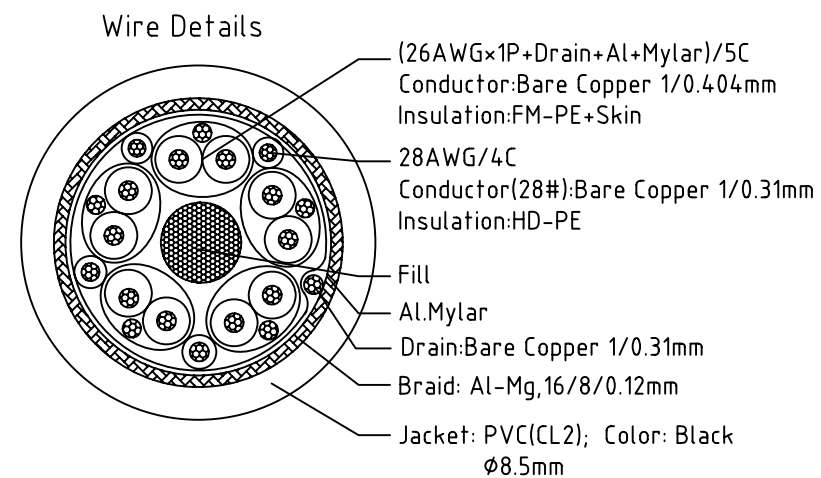
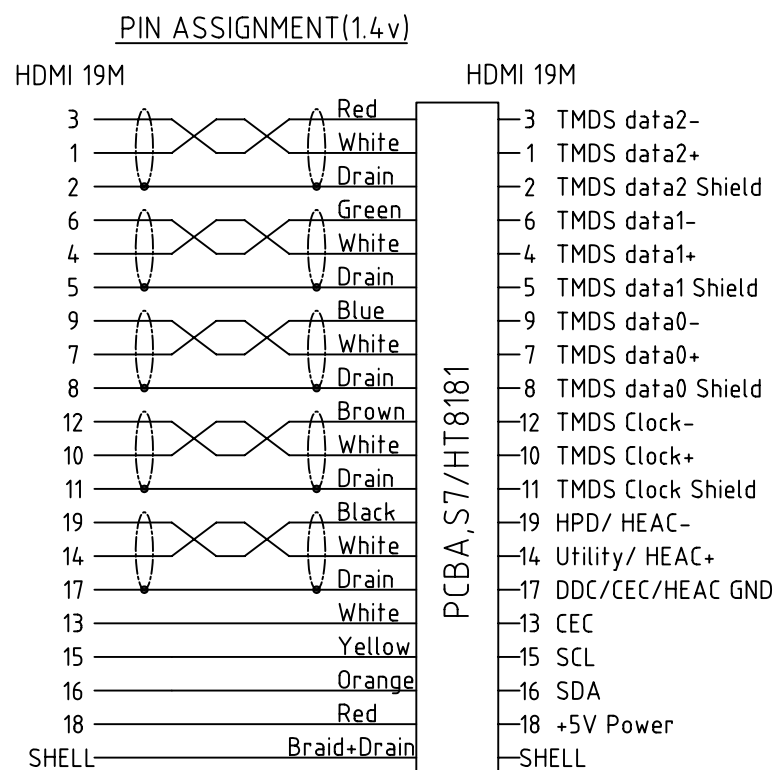


NOTE:ALL MATERIAL COMPLIANT ROHS STANDARD

REVISION INFORMATION			
Rev.	Rev. Date	Modified By	Brief Description



Electrical character:  
1)100% 1080P、4K@60Hz、3Dtesting



NO.	PART NAME	SPECIFICATION DESCRIPTION	QTY	UNIT
①	Cable	UL20276 (26#BC/1P+ADM)/5C+28#/4C+F+A+D+B(16/8/0.12,Al-Mg)+PVC,Black,OD8.5mm		
②	HDMI_Conn	HDMI A/M,PIN G/F,Black Insulation,Steel-Shell(G/F Plated),Solder type		
③	HDMI Conn+PCBA	HDMI A/M(G/F Plated)+PCBA(S7/HT8181)		
④	Innereold	PE,Low density		
⑤	Overmold	PVC,45Pa,Black		

Unless specified on the drawing, tolerances are per the follows:

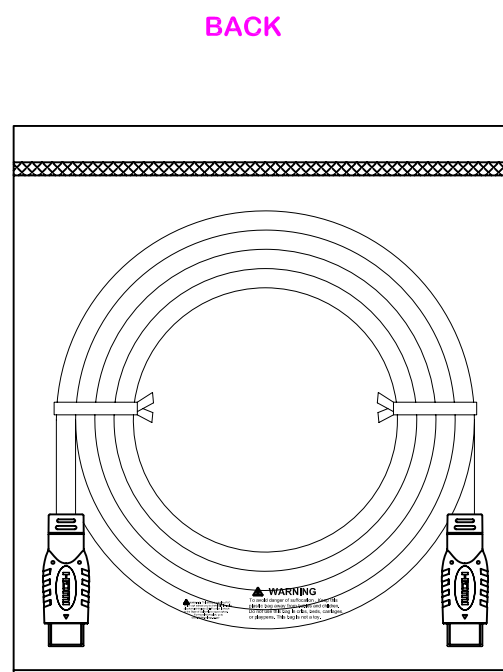
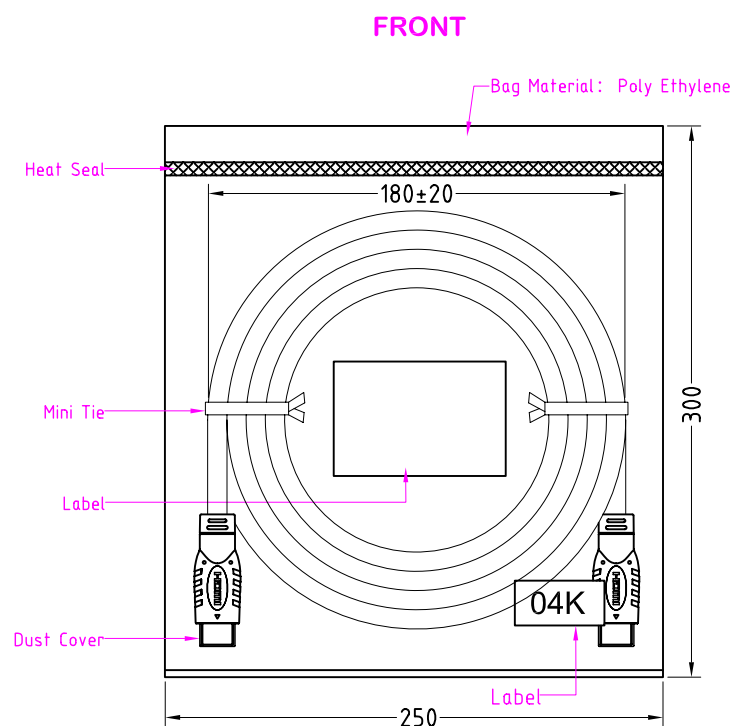
.	+1
.x	+0.2
.xx	+0.05

DRAWN BY	DATE: 2019/06/05	DESCRIPTION: HDMI A/M TO HDMI A/M Cable
CHECKED BY	SHEET 1of2	ITEM NO. 181417
APPROVED BY	SCALE None	REV. 0.0

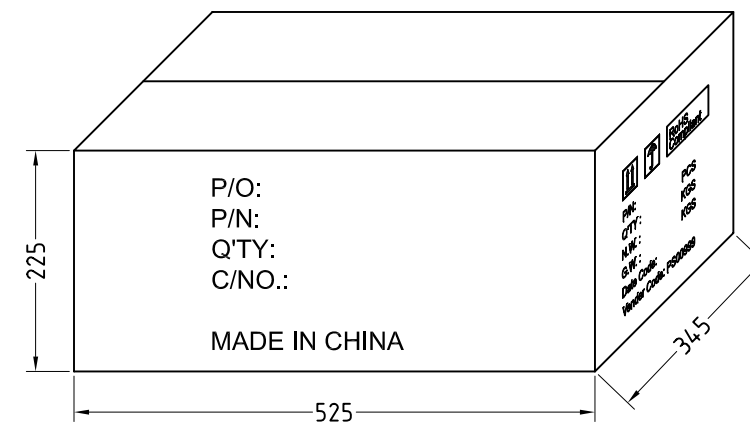
UNIT:mm

NOTE: CARTON MATERIAL MUST BE A=A

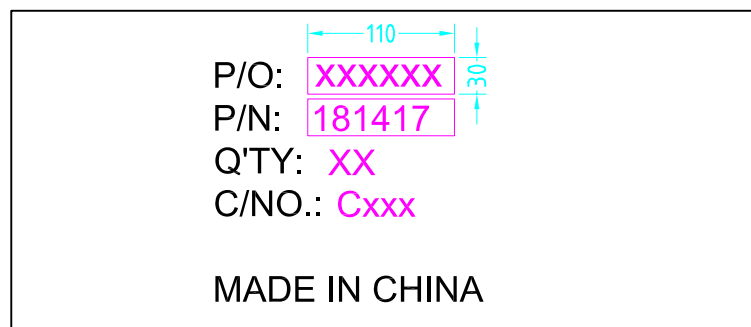
REVISION INFORMATION			
Rev.	Rev. Date	Modified By	Brief Description



15pcs →



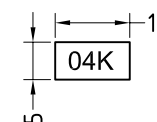
**MAIN MARK**



Label:  
Size: 60 x 40 mm



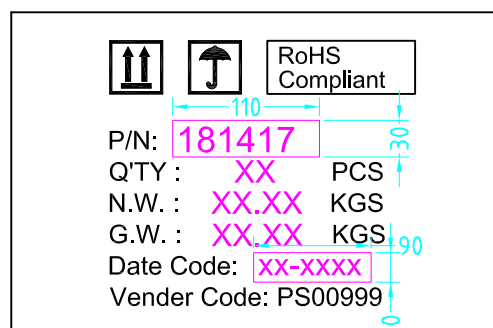
Label:  
Size: 10 x 5 mm



**Packing Instruction:**

1. First of all, protect the connector with dust covers, coil the cable (see attached). Secure the cable with cable tie, and then pack each cable with an individual PE bag, The label is attached to the PE bag.
2. Seal the PE bag with heat sealing machine.
3. Use a waterproof bag to pack the products before going into master carton. Make sure each individual cable is staggered and positioned tidily. A paperboard is needed in both the bottom and the top of the products.
4. See shipping mark on the left.

**SIDE MARK**



Carton Size: 20.67"(L)\*13.58"(W)\*8.86"(H)  
Carton Quantity: 15 pcs  
Carton Weight: 25.78 LBS

DRAWN BY	DATE: 2019/06/05	DESCRIPTION: HDMI A/M TO HDMI A/M Cable
CHECKED BY	SHEET 2of2	ITEM NO. 181417
APPROVED BY	SCALE None	REV. 0.0
	UNIT:mm	