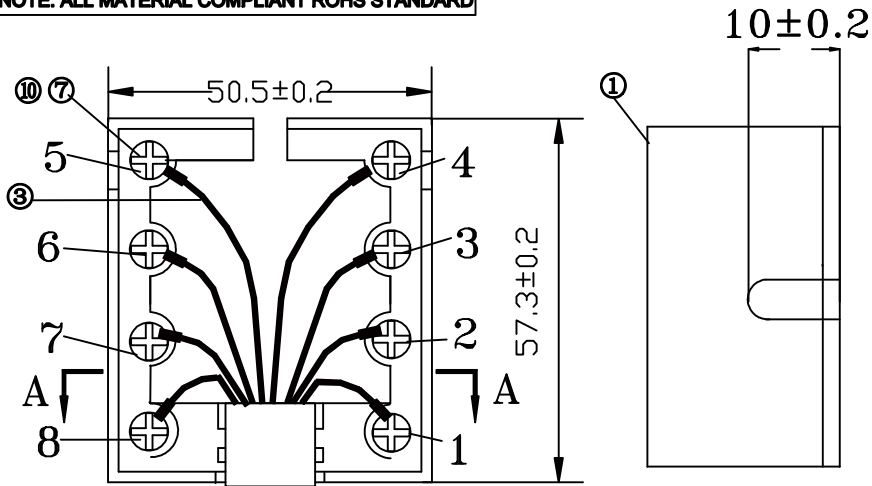
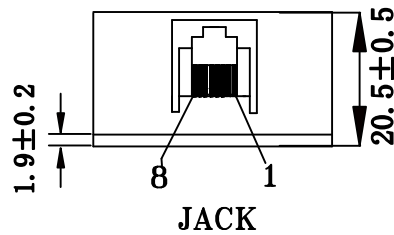


NOTE: ALL MATERIAL COMPLIANT ROHS STANDARD



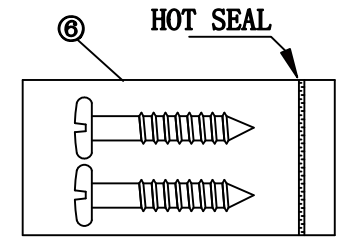
UNDER COVER



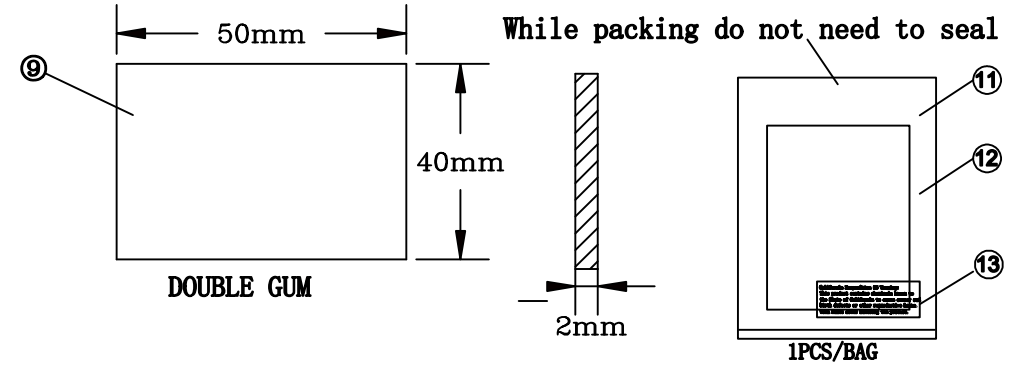
JACK

UNDER COVER	JACK	COLOR
1	1	WHITE
2	2	ORANGE
3	3	BLACK
4	4	RED
5	5	GREEN
6	6	YELLOW
7	7	BLUE
8	8	BROWN

REVISION INFORMATION			
Rev.	Rev. Date	Modified By	Brief Description
A/0	14-04-07	T0407C	NEW DRAWING
A/1	14-04-21	B0421A	Revise the JACK sketch map
A/2	14-05-02	B0502B	The modification lower cover 50±0.5
A/3	16-06-13	B0611C	Increment LABLE



BAG: 50X30MM03 2PC/BAG



While packing do not need to seal

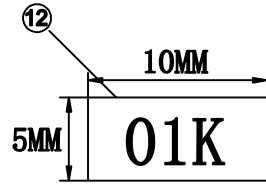
1PCS/BAG

⑬	LABLE (2)	50X20MM Black word in white bottom	1	PCS
⑫	LABLE (1)	10X5MM Black word in white bottom	1	PCS
⑪	Bag (2)	110X90MM04	1	PCS
⑩	Small "Y" terminal	Copper plating	8	PCS
⑨	DOUBLE GUM	50X40X2.0MM	1	PCS
⑧	Screw B	PAB3. 5X20MM,	2	PCS
⑦	Screw A	PWA3. 5X7.5MM,	8	PCS
⑥	Bag (1)	50X30MM03 2 screws in one bag	1	PCS
⑤	2121 terminal	Copper plating	8	PCS
④	Gold wire	FU" L=13MM 2PCS L=15MM 2PCS	8	PCS
③	Wire	UL 1061 PVC 26AWG 4X4 L=60MM White Orange Black Red Green Yellow Blue Brown 1PCS	8	PCS
②	623K	8P ABS NOUL INSERT TYPE WH-S15	1	PCS
①	LT-468 Cover/Base	8P8C ABS NOUL WH-S15	1	SET
NO.	PART NAME	SPECIFICATION DESCRIPTION	QTY	UNIT

PART NO	DRAWING NO	CABLE LENGTH L	BUYER COLOR	VENDOR COLOR	CUT LENGTH
170704WT	217-085-A	60±5		WH-S15	

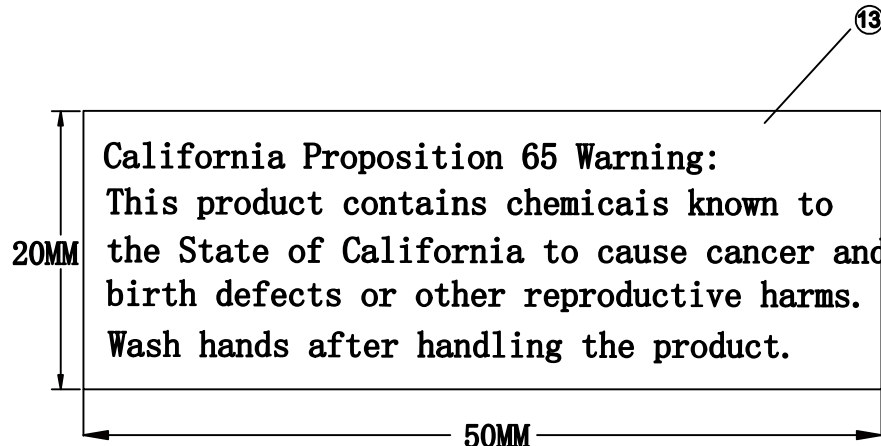
DRAWN BY:	DATE: 2016/08/16	DESCRIPTION: LT-468 8P8C WH-S15
CHECKED BY:	SHEET 1 of 3	ITEM NO.170704WT
APPROVED BY:	SCALE 1:1	REV. A/3 UNIT: mm

NOTE: ALL MATERIAL COMPLIANT ROHS STANDARD



LABLE (1)

Decals material:copperplate paper
Form of written:Arial
Form of written size:9px
Label size:10X5MM



LABLE (2)

Form of written:Arial
Form of written size:6.5px
Label size:50X20MM
Decals material:copperplate paper

DRAWN BY:	DATE: 2018/06/16	DESCRIPTION: LT-468 8P8C WH-S15	
CHECKED BY	SHEET 2 of 3	ITEM NO.170704WT	
APPROVED BY	SCALE 1:1	REV. A/6	UNIT: mm

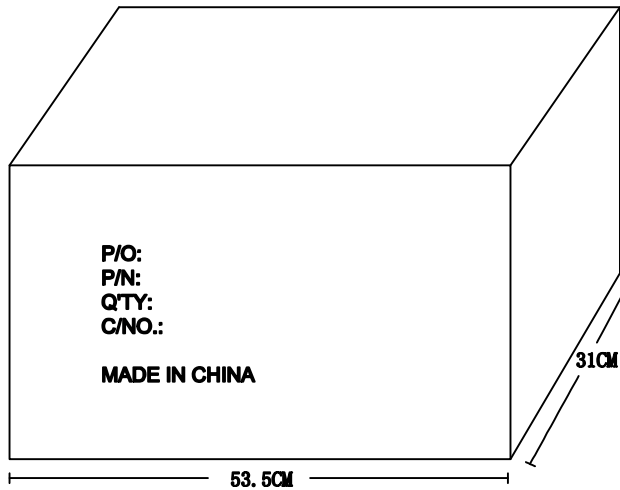
NOTE: ALL MATERIAL COMPLIANT ROHS STANDARD

Main Mark


P/O:
P/N:
Q'TY:
C/NO.:


MADE IN CHINA

26CM



Side Mark





RoHS
Compliant

P/N:

Q'TY: PCS

N.W.: KGS

G.W.: KGS

Date Code: 35-2011

Vender Code: PS00788

PART NO	ITEM NO	BOX SIZE (CM)	QTY
170704WT	217-085-A	53.5X31X26CM	500



DRAWN BY:	DATE: 2016/06/16	DESCRIPTION: LT-468 8P8C WH-S15
CHECKED BY	SHEET 3 of 3	ITEM NO.170704WT
APPROVED BY	SCALE 1:1	REV. A/3 UNIT: mm 