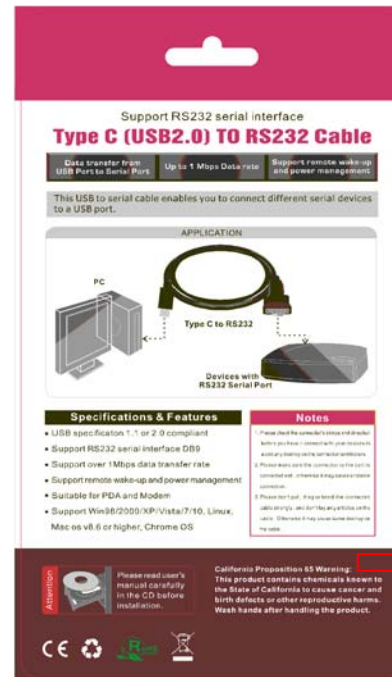
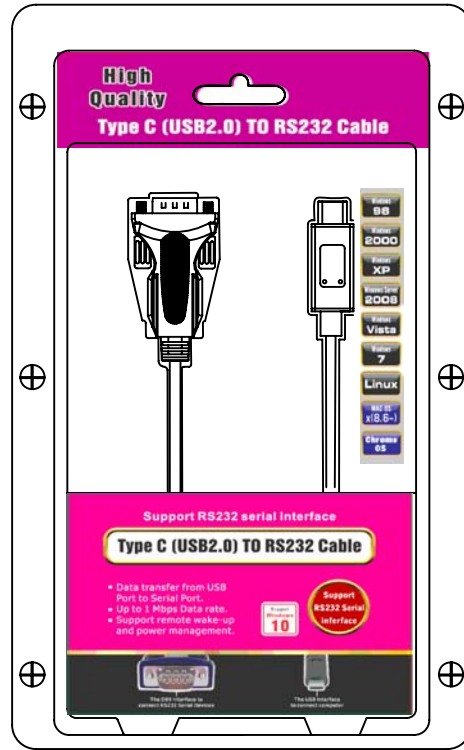
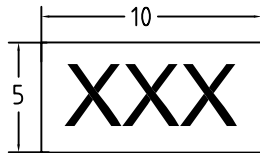
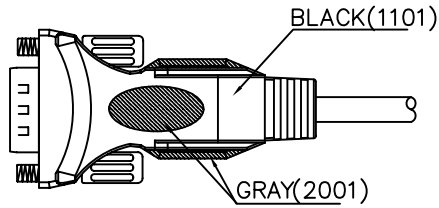
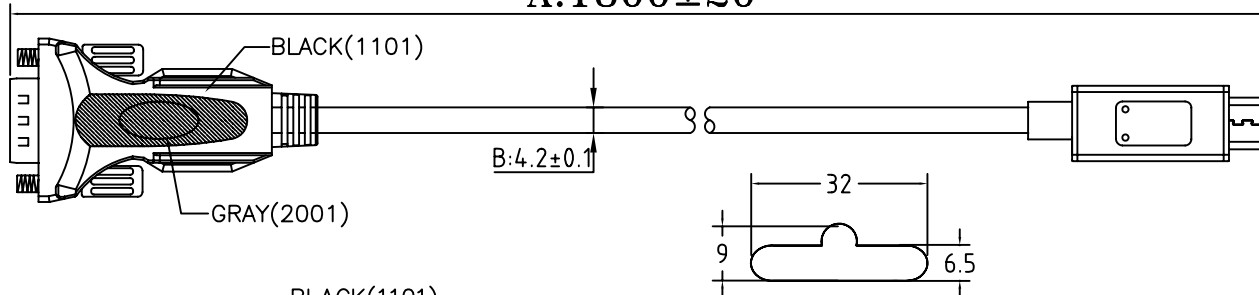


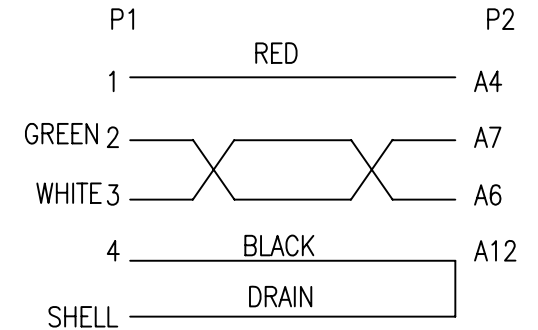
NOTE: ALL MATERIAL COMPLIANT ROHS STANDARD

REVISION INFORMATION			
Rev.	Rev. Date	Modified By	Brief Description

A: 1800±20



PINOUT;



NOTES:

- 1) PRIMARY DIM: A. B
- 2) RoHS compliant.

← LABEL



NO.	PART NAME	SPECIFICATION DESCRIPTION	QTY	UNIT
③		USB2.0 TO RS232 PCBA(VD508) RoHS		
②		USB2.0 C/M BLACK PIN G/F SHELL NI (5.1K)W/PCB(VD1138) RoHS		
①		USB2.0 28#1P*24#2C+AEB(32AM) OD:4.2MM BLACK(1101) 1800M ROHS		

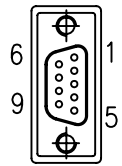
Unless specified on the drawing, tolerances are per the follows:  
 . +1  
 .x +0.2  
 .x +0.05

DRAWN BY	DATE: 2017/09/04	DESCRIPTION: <b>TYPE C(USB2.0) TO RS232 CABLE</b>	
CHECKED BY	SHEET 1 of 3	ITEM NO. 150484	
APPROVED BY	SCALE 1:1	REV. 00	UNIT: mm

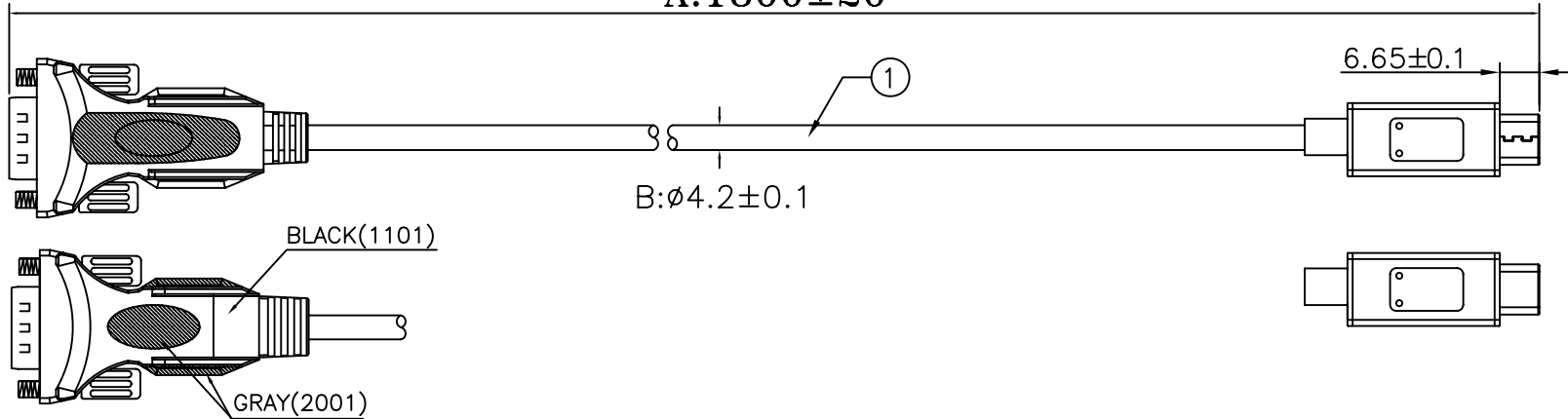
NOTE: ALL MATERIAL COMPLIANT ROHS STANDARD

REVISION INFORMATION			
Rev.	Rev. Date	Modified By	Brief Description

A:1800±20

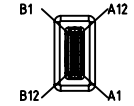


P1

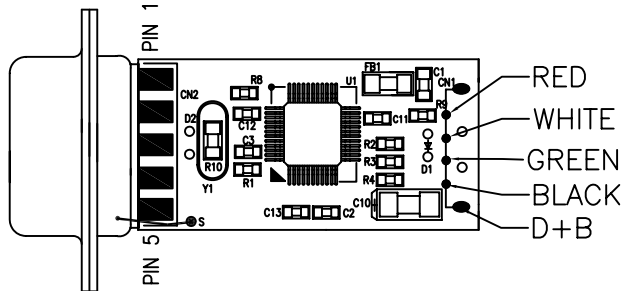


BLACK(1101)

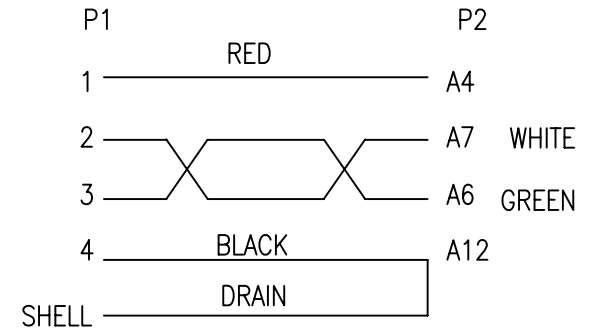
GRAY(2001)



P2



PINOUT;



NOTES:

- 1) PRIMARY DIM: A. B
- 2) RoHS compliant.



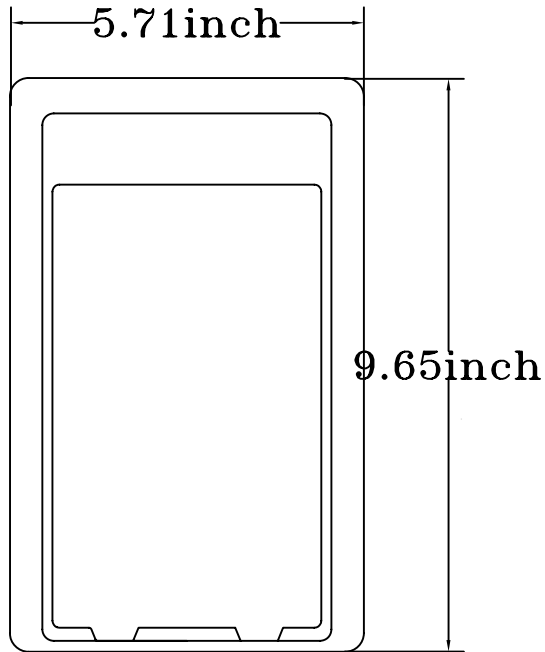
NO.	PART NAME	SPECIFICATION DESCRIPTION	QTY	UNIT
③		USB2.0 TO RS232 PCBA(VD508) RoHS		
②		USB2.0 C/M BLACK PIN G/F SHELL NI (5.1KΩ)W/P(CB(VD1138)) RoHS		
①		USB2.0 28#1P+24#2C+AEB(32AM) OD:4.2MM BLACK(1101) 1800M ROHS		

Unless specified on the drawing, tolerances are per the following:  
 . +1  
 .x +0.2  
 .x +0.05

DRAWN BY	DATE: 2017/09/04	DESCRIPTION: TYPE C(USB2.0) TO RS232 CABLE
CHECKED BY	SHEET 2 of 3	ITEM NO. 150484
APPROVED BY	SCALE 1:1	REV. 00 UNIT: mm

NOTE: ALL MATERIAL COMPLIANT ROHS STANDARD

REVISION INFORMATION			
Rev.	Rev. Date	Modified By	Brief Description



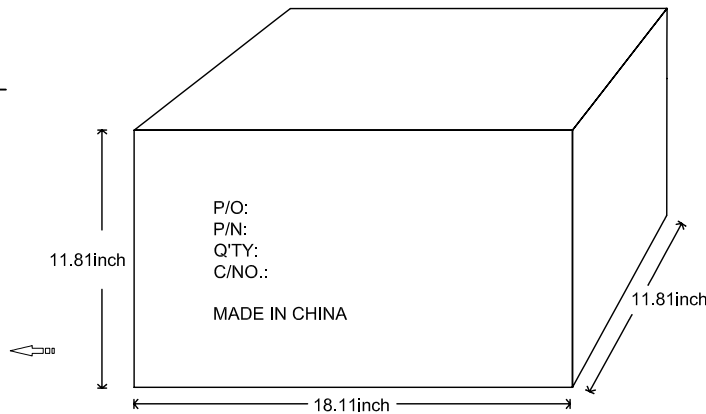
Unit package  
 Size: 9.65(L)\*5.71(W) inch  
 Weight: 0.032 LBS

RoHS  
Compliant

P/N: 150484  
 Q'TY: 30PCS  
 N.W.: 2.85      KGS  
 G.W.: 6.11      KGS  
 Date Code:  
 Vender Code: PS00775

**Main Mark**

P/O:  
 P/N: 150484  
 Q'TY: 30PCS  
 C/NO.: C1.C2.C3...  
 MADE IN CHINA



Carton Size: 18.11(L)\*11.81(W)\*11.81(H)inch  
 Carton Quantity: 30PCS  
 Carton Weight: 1.26 LBS

**NOTES:**

- 1) PRIMARY DIM: A. B
- 2) RoHS compliant.



NO.	PART NAME	SPECIFICATION DESCRIPTION	QTY	UNIT	
③					Unless specified on the drawing, tolerances are per the follows: .      +1 .x    +0.2 .x    +0.05
②					
①					

DRAWN BY	DATE: 2017/09/04	DESCRIPTION: <b>TYPE C(USB2.0) TO RS232 CABLE</b>
CHECKED BY	SHEET 3 of 3	ITEM NO. 150484
APPROVED BY	SCALE 1:1	REV. 00    UNIT: mm