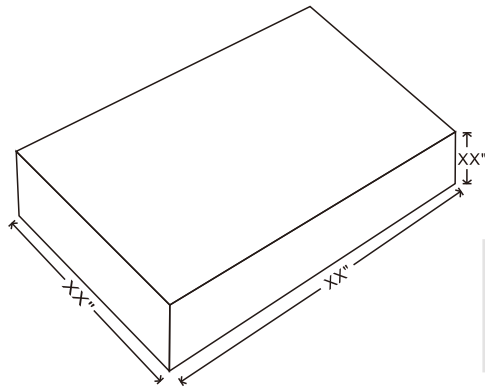


NOTE: CARTON MATERIAL MUST BE A=A

REVISION INFORMATION

Rev.	Rev. Date	Modified By	Brief Description



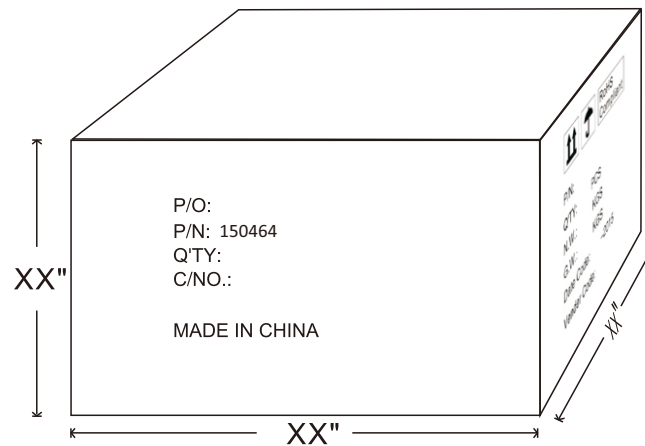
Unit package
Size: 5.12"*1.18"*5.31"

Side Mark
侧唛 (左右两面)

		RoHS Compliant
P/N: 150464		
Q'TY:	PCS	
N.W.:	KGS	
G.W.:	KGS	
Date Code:		
Vender Code: PS01672		

Main Mark
正唛 (前后两面)

P/O:
P/N: 150464
Q'TY:
C/NO.:
MADE IN CHINA



Carton Size: 18.11" *11.81"*11.81"
Carton Quaty: 50PCS
Carton Weight: 8.81LBS



DRAWN BY	DATE: 2021/10/07	DESCRIPTION: USB2.0 EXTENDER CABLE	
CHECKED BY	SHEET 1of2	ITEM NO. 150464	
APPROVED BY	SCALE 1: 1	REV. 00	UNIT:mm