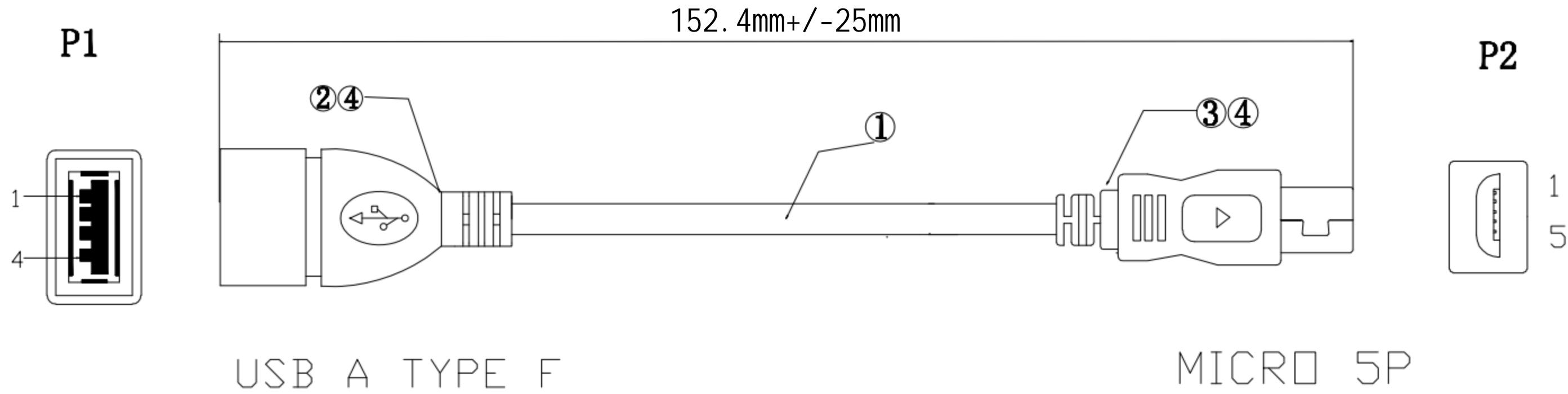
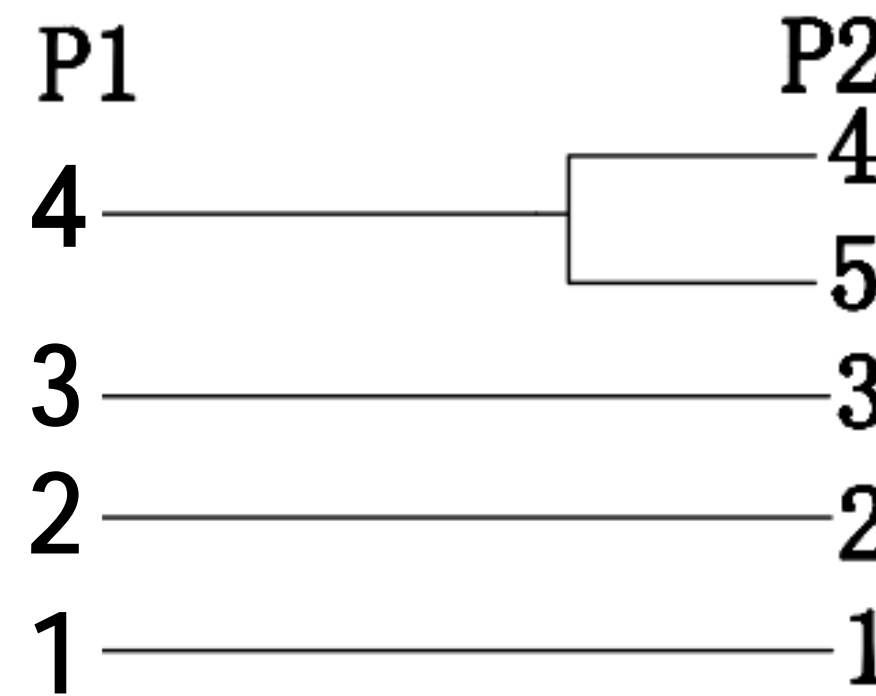


NOTE: ALL MATERIAL COMPLIANT ROHS STANDARD

REVISION INFORMATION			
Rev.	Rev. Date	Modified By	Brief Description



Wire point



ROHS compliant

electronic test: High voltage: 150V
insulation: 20M
breakover: 20

1). Material List :

NO.	PART NAME	SPECIFICATION DESCRIPTION	QTY	UNIT
⑤	compliant	USB 2.0		
④	Outer Molding	PVC 45P Black	NA	KG
③	Connector	USB MICRO 5P MALE	1	PCS
②	Connector	USB AF	1	PCS
①	Wire	7/10BC 30#*30# OD:4.2 Black	15	ft



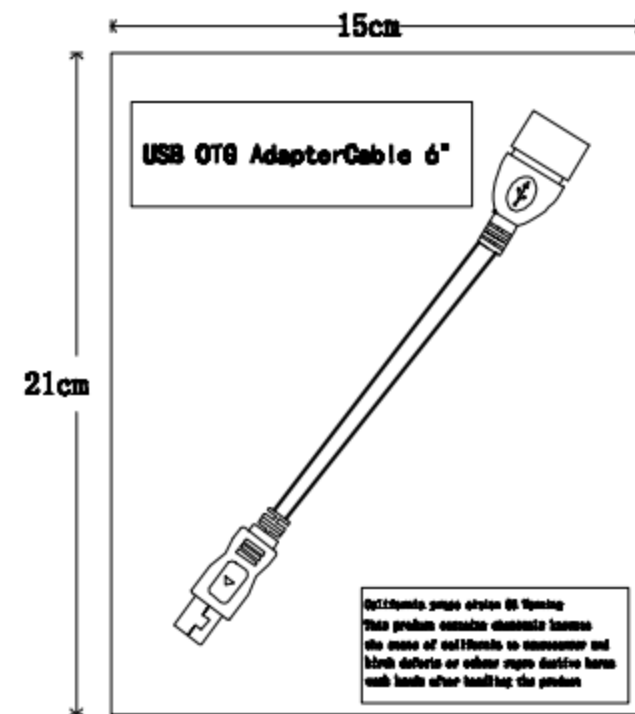
DRAWN BY	DATE: 2021.3.10	DESCRIPTION: USB OTG Adaptor cable
CHECKED BY	SHEET 1 of 1	ITEM NO.150159
APPROVED BY	SCALE 1:1	REV. 00 UNIT: mm

NOTE: CARTON MATERIAL MUST BE A=A

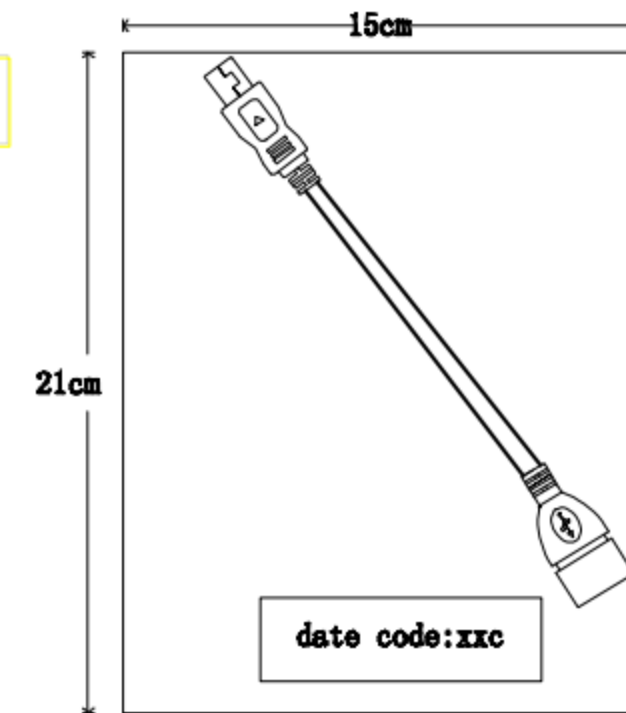
REVISION INFORMATION

Rev.	Rev. Date	Modified By	Brief Description

front side



behind side



Bag Material: Poly Ethylene

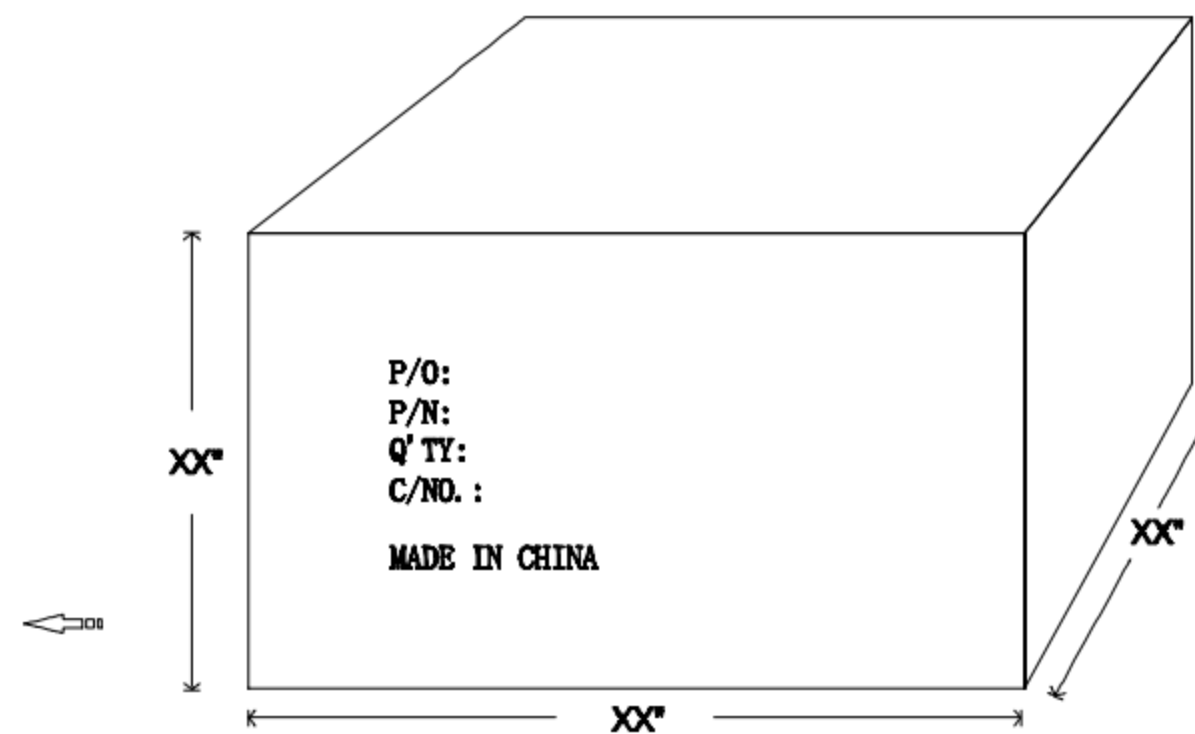
Print content

Side Mark

		RoHS Compliant
P/N: 150159		
Q'TY: 1000	PCS	
N. W. : 18.5	KGS	
G. W. : 19.5	KGS	
Date Code:	XX-XXXX	
Vender Code:	PS00523	

Main Mark

P/O:	
P/N:	150159
Q' TY:	1000PCS
C/NO. :	Dxxx
MADE IN CHINA	



Carton Size: 21.26*14.57*8.67
 Carton Quantity: 1000PCS
 Carton Weight: 42.24LBS

DRAWN BY	DATE: 2021. 3. 10	DESCRIPTION: USB OTG Adapter Cable 6"	
CHECKED BY	SHEET 1 of 1	ITEM NO. 150159	
APPROVED BY	SCALE 1:1	REV. 00	UNIT: mm