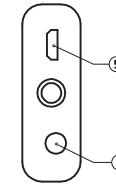
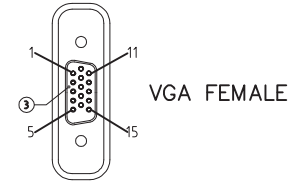
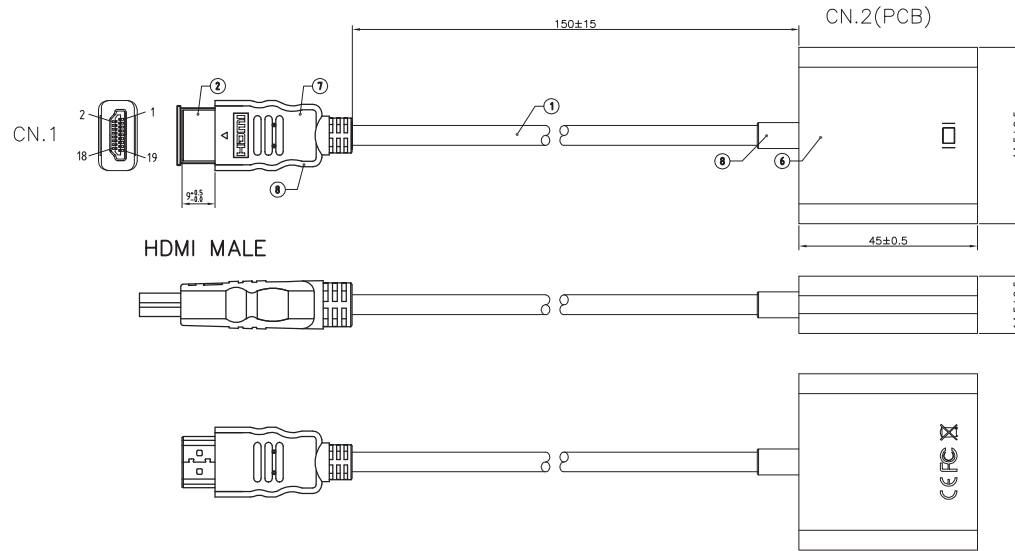
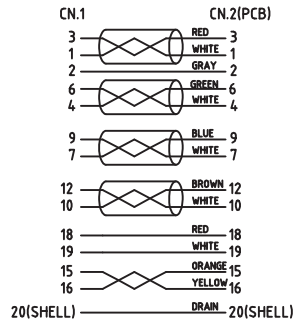


NOTE: ALL MATERIAL COMPLIANT ROHS STANDARD

REVISION INFORMATION			
Rev.	Rev. Date	Modified By	Brief Description




**PIN ASSIGNMENT:**



Electrical performance test: (HDMI TO VGA machine testing)

1. signal source DVD: 1080p/60HZ
2. The video has no signal jitter, smearing, ghosting, missing color and other abnormal displaying.
3. TV or monitor: 1920 \* 1080p/60HZ

NO.	PART NAME	SPECIFICATION DESCRIPTION	QTY	UNIT
8	outside shell material	45P PVC black	1	PCS
7	inside shell material	low-density PE	1	PCS
6	Plastic shell	Black plastic body	1	PCS
5	Connector 4	Micro USB female, gold-plated terminal, black plastic core, nickel-plated connector	1	PCS
4	Connector 3	3.5 audio female, black plastic core	1	PCS
3	Connector 2	VGA male, gold-plated terminal, black plastic core, nickel-plated connector	1	PCS
2	Connector 1	HDMI male, gold-plated terminal, black plastic core, nickel-plated connector	1	PCS
1	CABLE	HDMI CABLE UL20276 (30#1P+AL)*4C+30#*1P+30#*4C+D+AL OD5.0mm JACKET PVC BLACK	1	PCS



DRAWN BY KEVIN	DATE: 2016/06/12	DESCRIPTION: HDMI TO VGA
CHECKED BY JACK	SHEET 1 of 2	ITEM NO. 110911
APPROVED BY JON	SCALE 1:1	REV. 01 UNIT: mm