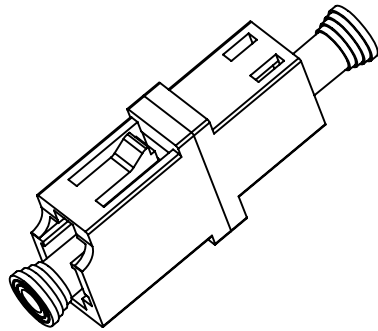


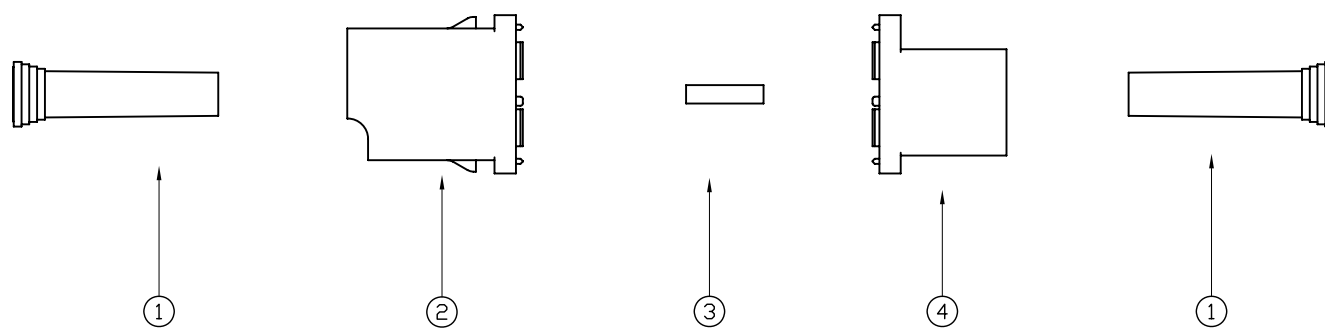
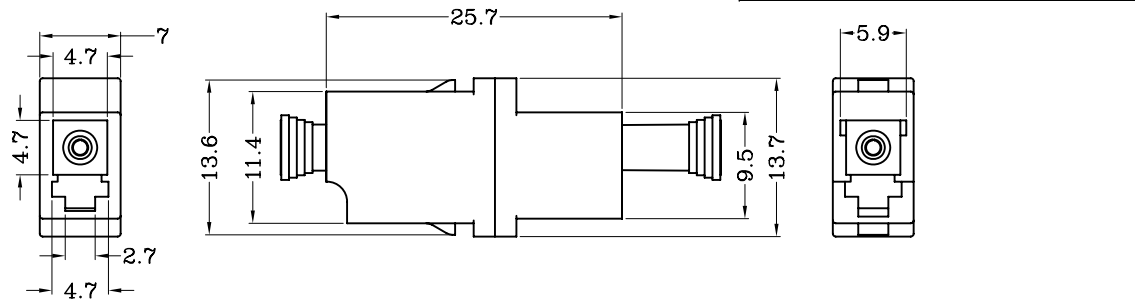
NOTE: ALL MATERIAL COMPLIANT ROHS STANDARD

REVISION INFORMATION			
Rev.	Rev. Date	Modified By	Brief Description



PART	MAT NO.	PAPT NAME	MAT.
1	FBK-ADAPTER-LC-010	LC-DUST CAP	PP
2	FBK-ADAPTER-LC-001	OUTER HOUSER_LC_1	PC
3	FBK-ADAPTER-LC-007	SLEEVES_LC	CERAMIC
3	FBK-ADAPTER-LC-002	OUTER HOUSER_LC_1_1	PC

Parameter	LC-LC			
	SM	MM	APC	OM3
Insertion Loss(db)	≤0.25	≤0.25	≤0.25	≤0.25
Mechanical Durability	>500			
Sleeve	ZrO2			
Operation wavelength	1310nm 1550nm 850nm			
Operating Temperature (°C)	-40~+75			
Storage Temperature (°C)	-40~+85			



NO.	PART NAME	SPECIFICATION DESCRIPTION	QTY	UNIT
③				
②				
①				



DRAWN BY	DATE: 2014/09/17	DESCRIPTION: LC Simplex Adapter
CHECKED BY	SHEET 1 of 1	ITEM NO. 102886
APPROVED BY	SCALE 1:1	REV. 00
	UNIT: mm	