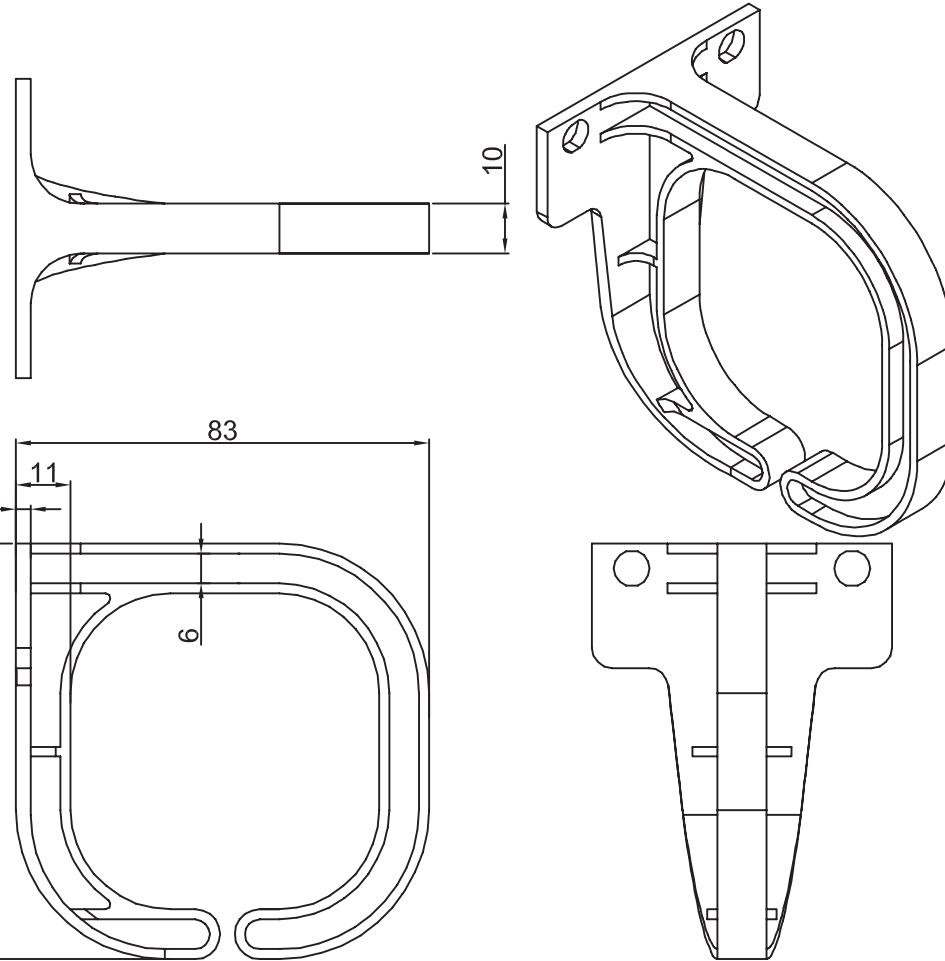
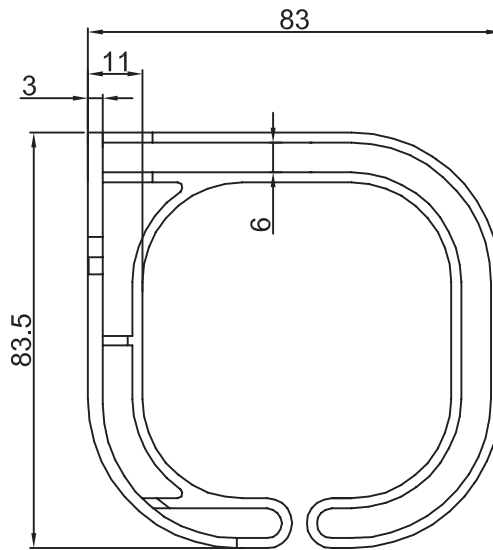
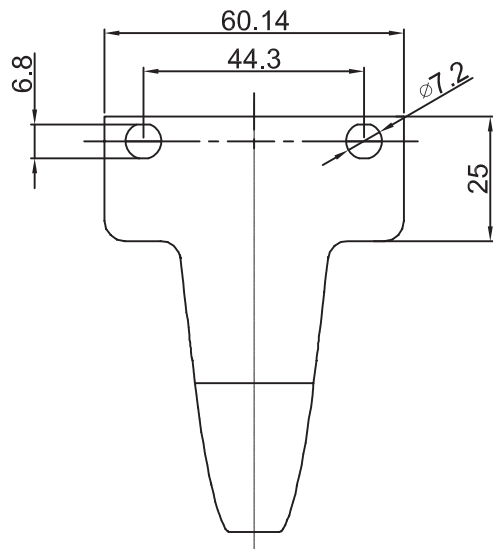



NOTE: ALL MATERIAL COMPLIANT ROHS STANDARD

REVISION INFORMATION			
Rev.	Rev. Date	Modified By	Brief Description
1	2017-02-28	ZXY	Change content of the label on the the box
2	2017-08-04	ZXY	bear the weight 28LBS



**MATERIAL**  
 Housing:PC  
 COLOR:WHITE,BLACK  
 Temperature:-40℃~68℃  
 Humidity:10%~90%RH  
 bear the weight: 28LBS

NO.	PART NAME	SPECIFICATION DESCRIPTION	QT'Y	UNIT
②	Screw package	Steel	2	PCS
①	Housing Material	Polycarbonate Black	1	PCS



DRAWN BY	WLL	DATE:	2017.8.4	DESCRIPTION:	Cable Hanger Medium
CHECKED BY		SHEET	1 of 1	ITEM NO.	102260
APPROVED BY		SCALE	1:2	REV.	01
			UNIT:	mm	