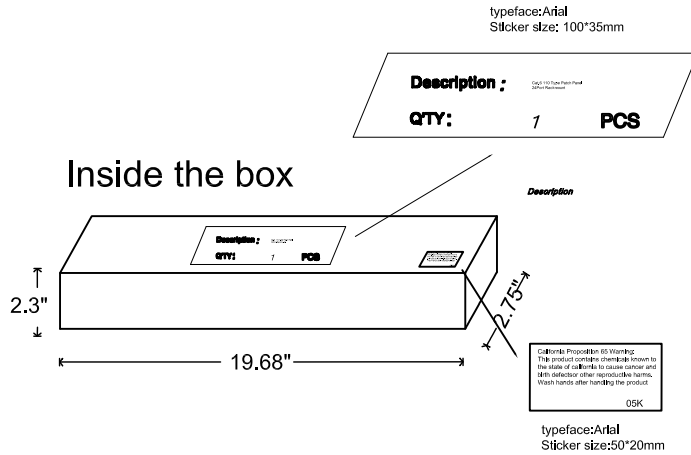


NOTE: CARTON MATERIAL MUST BE A=A

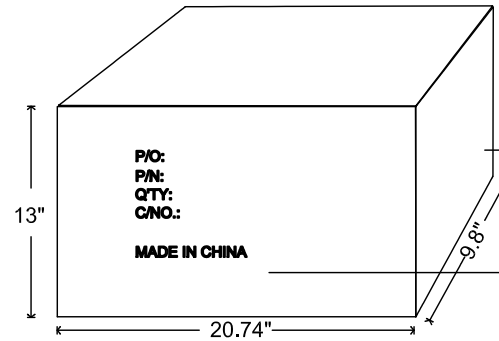
REVISION INFORMATION

Rev.	Rev. Date	Modified By	Brief Description



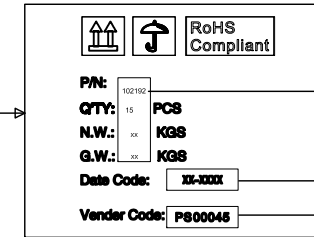
Unit package
Size:19.68"(L)*2.75"(W)*2.3"(H)
Weight:XXLBS

Outside the box



Carton Size: 20.74"(L)*9.8"(W)*13"(H)
Carton Quantity: 15PCS
Carton Weight: XXLBS

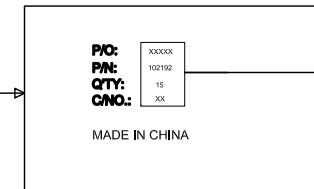
Side Mark



LABEL-3
Box label size 90*120mm

LABEL-4
Box label size 70*25mm

Main Mark



LABEL-5
Box label size 90*120mm



NO.	PART NAME	SPECIFICATION DESCRIPTION	QTY	UNIT
③				
②				
①				

Unless specified on the drawing, tolerances are per the follows:

.x +1
.xx +0.2
.xxx +0.05

DRAWN BY	DATE: 2017/06/15	DESCRIPTION: Cat.6 110 Type Patch Panel 24Port Rackmount
CHECKED BY	SHEET 1of2	ITEM NO. 102192
APPROVED BY	SCALE 1:1	REV. 00 UNIT:mm