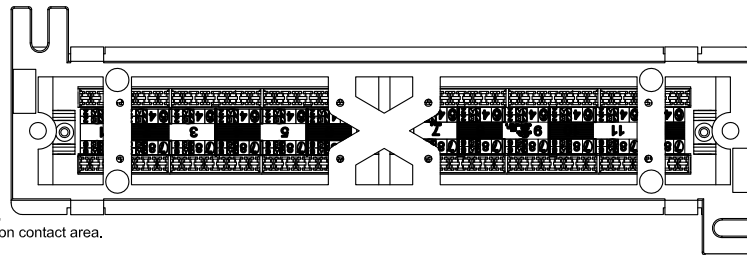
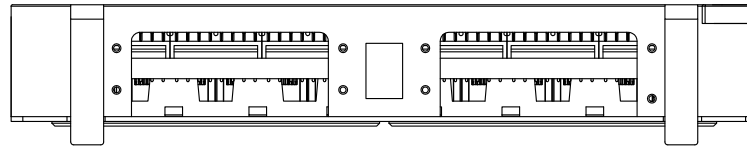
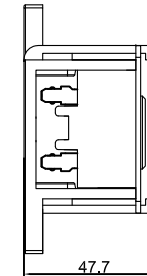
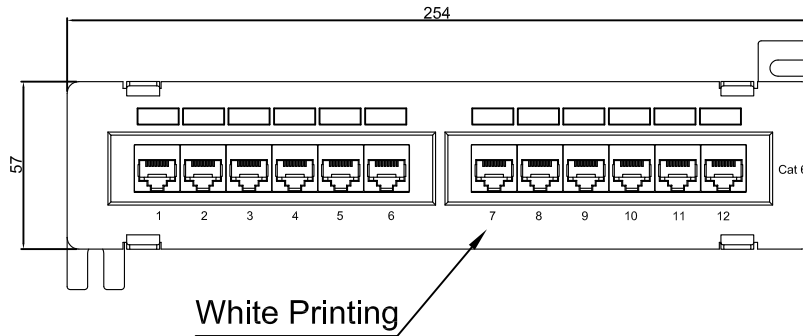


NOTE: ALL MATERIAL COMPLIANT ROHS STANDARD

REVISION INFORMATION			
Rev.	Rev. Date	Modified By	Brief Description



Physical Specification
 Panel: SPCC
 Bracket: PC UL94V-0
 Jack Housing: PBT UL94V-0
 Spring PIN: Phosphor Bronze C5210, t=0.3mm.
 Plating 120u" MatteTin over 60u" Nickel undercoat,
 Besides Plating 50u" Gold over the plated surface on contact area.
 PIN Holder: PBT UL94V-0.
 IDC Housing: PC UL94V-0
 IDC Contact: Phosphor Bronze C5191, t=0.4mm, 200u" Matte Tin over 100u" soft Nickel undercoat
 PCB: FR-4

Insertion Life: 750 mating cycles with FCC compliant RJ-45 plug
 Contact Force: 100 grams with FCC compliant RJ-45 plug
 Plug Retention Force: 11 lbf min
 Durability: 200 termination cycles
 Contact Compatibility: Accommodates 22 to 26 AWG solid/24 AWG stranded
 SUITABLE IMPACT TOOL: 110 STYLE PUNCHDOWN TOOL
 Operating Temperature Range: -10°C to 60°C
 Storage Temperature Range: -40°C to 68°C
 Humidity: 10%~90%RH

Electrical
 Insulation Resistance: 500 MΩ.
 Dielectric Withstanding Voltage: 1000 V AC.
 DC Current Rating: 1.5 Amps .
 DC Resistance: 0.1Ω.
 Contact Resistance: 20 MΩ.

NO.	PART NAME	SPECIFICATION DESCRIPTION	QTY	UNIT
③				
②	Cable Ties	3*100MM	12	PCS
①	IDC Cap	15*9.5*9.6MM	24	PCS

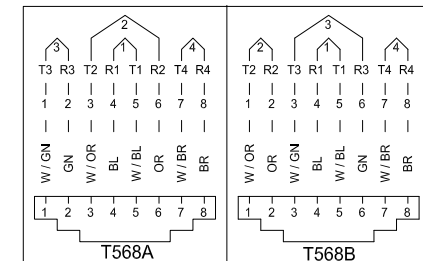
ACCORDING TO ANSI/TIA-568-C.2
 REQUIREMENTS
 C6 CHANNEL COMPLIANT

Cat 6

56Y4
 E145249



COMMUNICATION
 CIRCUIT ACCESSORIES

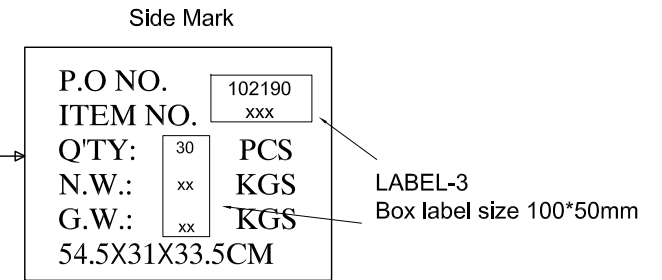
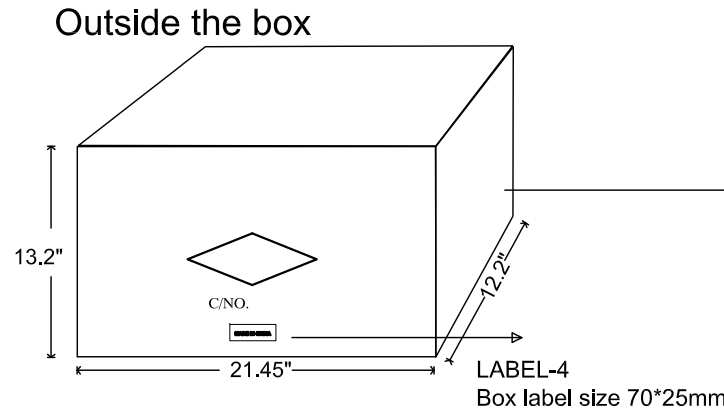
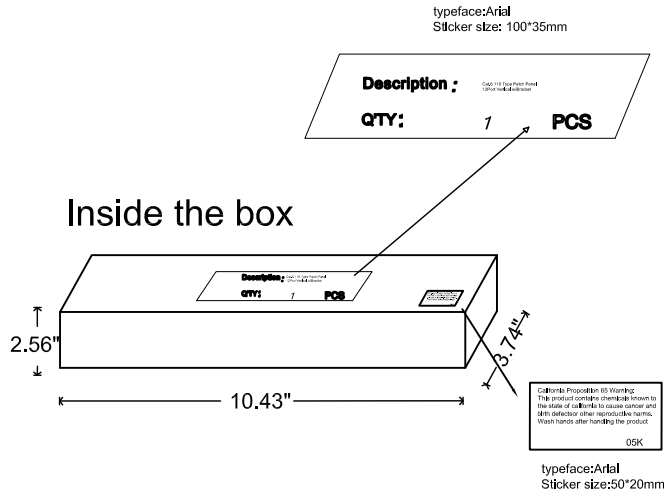


DRAWN BY	WLL	DATE:	2017/06/15	DESCRIPTION:	Cat.6 110 Type Patch Panel 12Port Vertical w/Bracket
CHECKED BY		SHEET	1 of 1	ITEM NO.	102190
APPROVED BY		SCALE	1:2	REV.	01
		UNIT:	mm		

NOTE: CARTON MATERIAL MUST BE A=A

REVISION INFORMATION

Rev.	Rev. Date	Modified By	Brief Description



Unit package
Size: 10.43"(L)*3.74"(W)*2.56"(H)
Weight: XXLBS

Carton Size: 21.45"(L)*12.2"(W)*13.2"(H)
Carton Quantity: 20PCS
Carton Weight: XXLBS

MADE IN CHINA

NO.	PART NAME	SPECIFICATION DESCRIPTION	QTY	UNIT
③				
②				
①				

Unless specified on the drawing, tolerances are per the follows:

.x +1
.xx +0.2
.xxx +0.05

DRAWN BY	DATE: 2017/06/15	DESCRIPTION: Cat.6 110 Type Patch Panel 12Port Vertical w/Bracket
CHECKED BY	SHEET 1of2	ITEM NO. 102190
APPROVED BY	SCALE 1:1	REV. 00 UNIT:mm