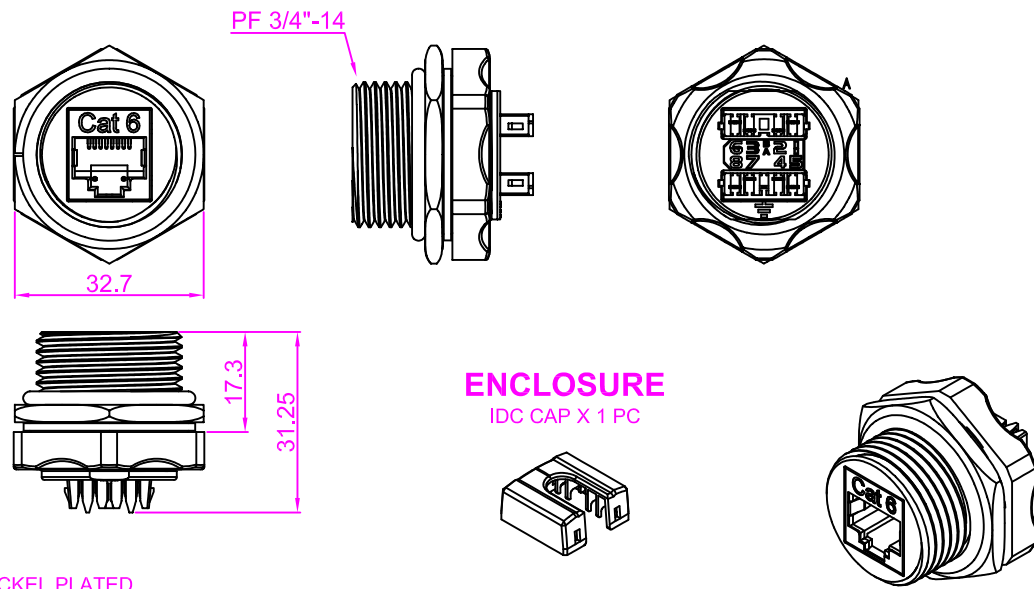


NOTE: ALL MATERIAL COMPLIANT ROHS STANDARD

| REVISION INFORMATION | | | |
|----------------------|-----------|-------------|-------------------|
| Rev. | Rev. Date | Modified By | Brief Description |
| | | | |



MATERIAL

SHIELDED CASE : BRASS,NICKEL PLATED.
 MAIN BODY & DUST CAP : PBT+GF,UL94V-0.
 KEYSTONE JACK HOUSING : PC,UL94V-0.
 SPRING WIRE : PHOSPHOR BRONZE,50U" GOLD PLATED.
 IDC PLASTIC : PC,UL94V-0.
 IDC CONTACT : PHOSPHOR BRONZE ,TIN OVER NICKEL UNDERCOAT.

PHYSICAL CHARACTERISTICS

SUITABLE IMPACT TOOL: 110 STYLE PUNCH DOWN TOOL.
 INSERTION LIFE : 750 MATING CYCLES WITH FCC COMPLIANT 8P PLUG.
 CONTACT FORCE : 100 GRAMS WITH FCC COMPLIANT 8P PLUG.
 PLUG RETENTION FORCE : 11 LBF MIN.
 DURABILITY : 200 TERMINATION CYCLES.
 CONTACT COMPATIBILITY : ACCOMMODATES 22 TO 24 AWG SOLID.
 OPERATING TEMPERATURE RANGE : -10 C TO 60 C.
 STORAGE TEMPERATURE RANGE : -40 C TO 68 C.
 HUMIDITY : 10%~90%RH.

ELECTRICAL

INSULATION RESISTANCE : 500 MΩ.
 DIELECTRIC WITHSTANDING VOLTAGE : 1000 V AC.
 DC CURRENT RATING : 1.5 Amps.
 DC RESISTANCE : 0.1Ω.
 CONTACT RESISTANCE : 20mΩ.

NOTE

* WILL NOT SUPPORT CHANNEL SHORTER THAN 15M.
 * ONLY ACCEPT RJ-45 8P8C PLUG.

ENCLOSURE
 IDC CAP X 1 PC

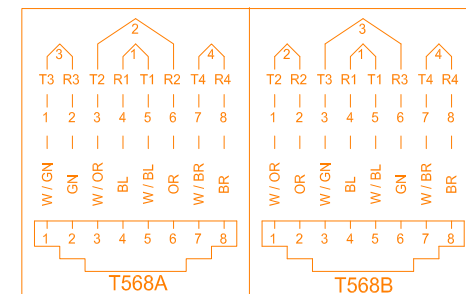
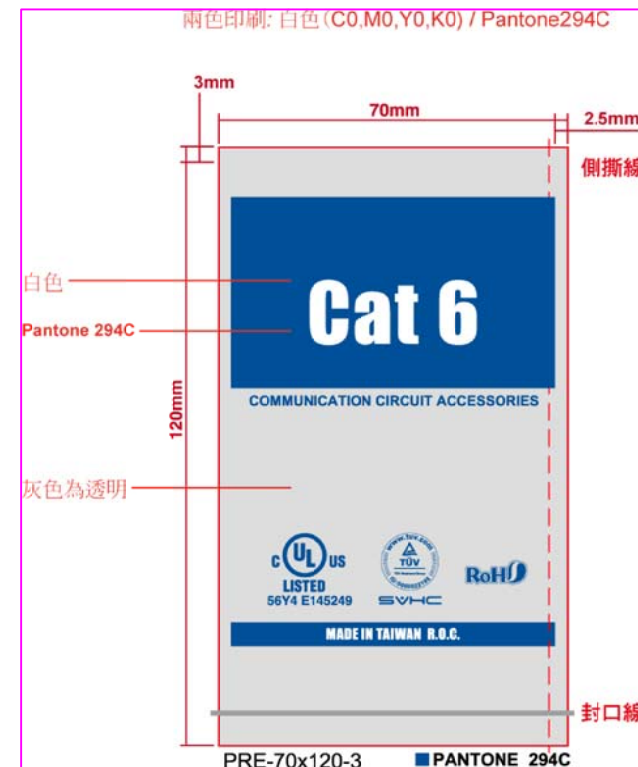
ACCORDING TO: ANSI/TIA-568-C.2
 ISO/IEC 11801 2nd Edition
 IEC 60603-7

IP67

ACCORDING TO IEC 60529:2001-02
 Degrees of Protection Provided by Enclosures
 6: Dust-tight
 7: Protected from immersion in water for 30 minutes at a depth of 1 meter.

Cat 6

56Y4
 E145249



| NO. | PART NAME | SPECIFICATION DESCRIPTION | QTY | UNIT |
|-----|-----------|---------------------------|-----|------|
| ③ | | | | |
| ② | | | | |
| ① | | | | |

| | | | |
|--------------|-----|------------------------------------|------------|
| | | | |
| DRAWN BY | WJH | DATE: | 2014/11/25 |
| CHECKED BY | | SHEET | 1 of 1 |
| APPROVED BY | | SCALE | 1:2 |
| DESCRIPTION: | | Cat.6 STP industrial keystone jack | |
| ITEM NO. | | 102050 | |
| REV. | 00 | UNIT: | mm |