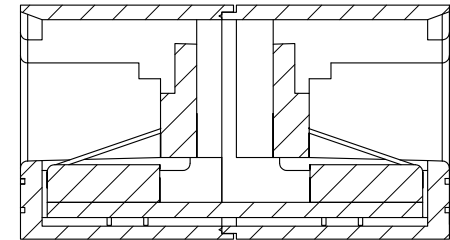
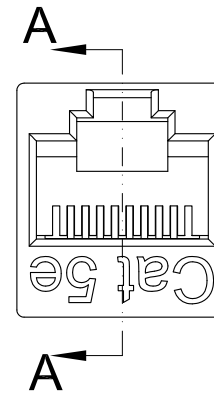
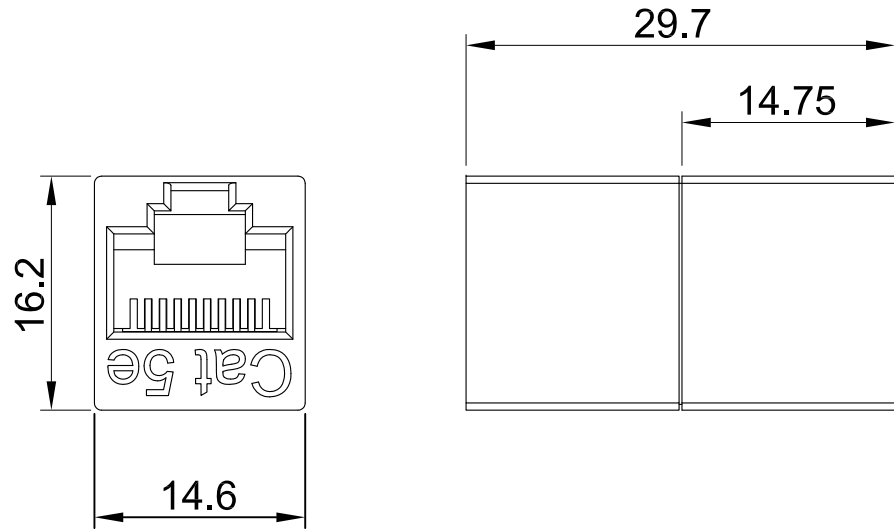


NOTE: ALL MATERIAL COMPLIANT ROHS STANDARD

| REVISION INFORMATION | | | |
|----------------------|-----------|-------------|-------------------|
| Rev. | Rev. Date | Modified By | Brief Description |
| | | | |

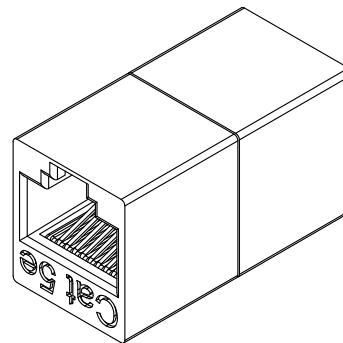


SECTION A-A

MATERIAL
 COUPLER HOUSING : ABS high-impact UL94V-0 thermoplastic
 SPRING WIRE : Phosphor Bronze 5210R temper wire, T=0.3mm, 50u" Gold over 100u" Nickel undercoat
 CONTACT HOLDER : PBT high-impact UL94V-0 thermoplastic

PHYSICAL CHARACTERISTICS
 INSERTION LIFE : 750 MATING CYCLES WITH FCC COMPLIANT RJ-45 PLUG
 CONTACT FORCE : 100 GRAMS WITH FCC COMPLIANT RJ-45 PLUG
 PLUG RETENTION FORCE : 11 LBF MIN.
 OPERATING TEMPERATURE RANGE : -10 C TO 60 C
 STORAGE TEMPERATURE RANGE : -40 C TO 68 C
 HUMIDITY : 10%~90%RH

ELECTRICAL
 INSULATION RESISTANCE : 500 MΩ
 DIELECTRIC WITHSTANDING VOLTAGE : 1000 V
 DC CURRENT RATING : 1.5 Amps
 DC RESISTANCE : 0.1Ω
 CONTACT RESISTANCE : 20mΩ



Cat 5e

56Y4
 E145249



| NO. | PART NAME | SPECIFICATION DESCRIPTION | QTY | UNIT |
|-----|-----------|---------------------------|-----|------|
| ③ | | | | |
| ② | | | | |
| ① | | | | |

| | | |
|--------------------|-----------------|---|
| DRAWN BY LIJIANWEI | DATE: 2013/5/13 | DESCRIPTION: Cat.5E RJ45 Inline Coupler White |
| CHECKED BY | SHEET 1 of 1 | ITEM NO. 102001WT |
| APPROVED BY | SCALE 2.5:1 | REV. 00 UNIT: mm |