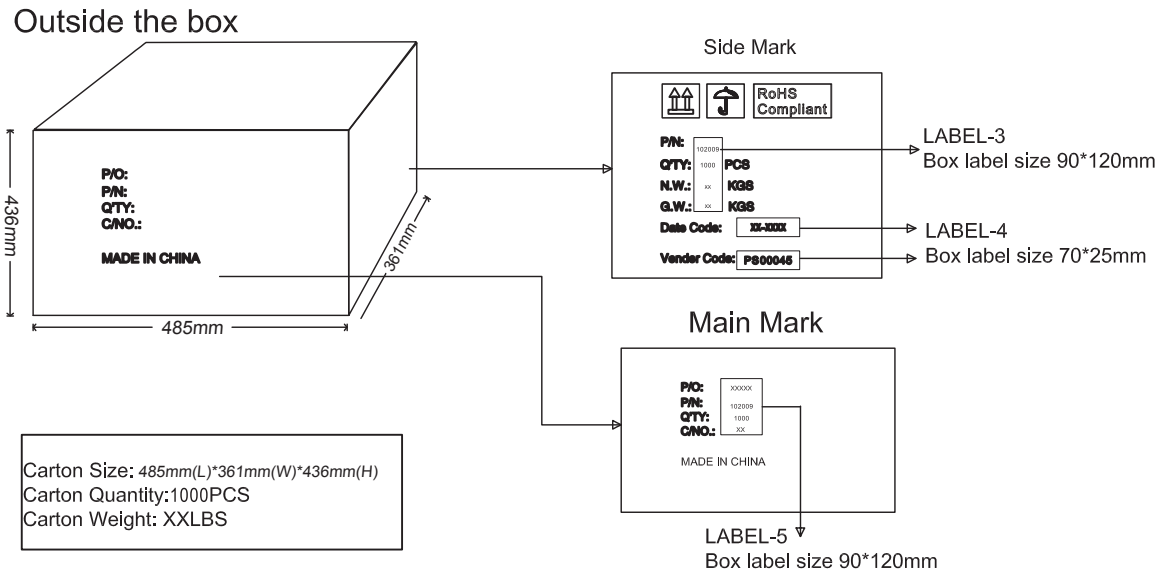
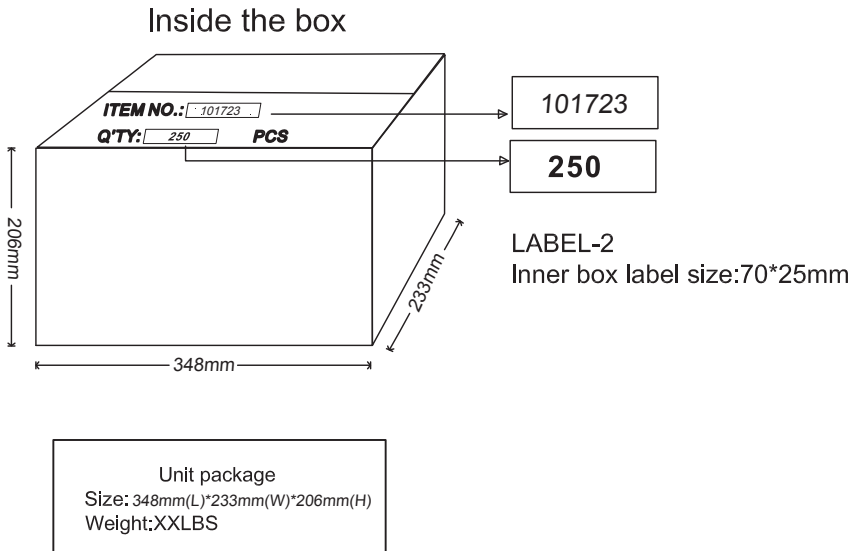
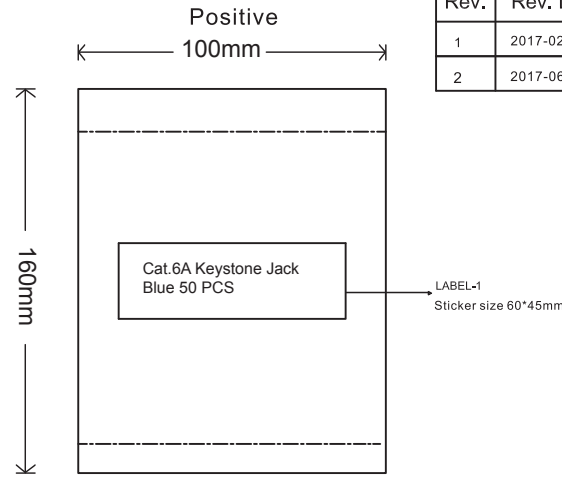
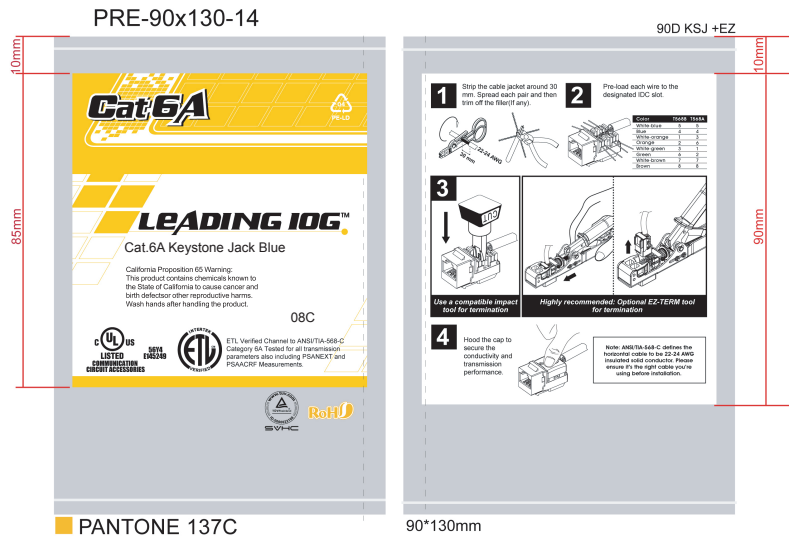


NOTE: CARTON MATERIAL MUST BE A=A

REVISION INFORMATION			
Rev.	Rev. Date	Modified By	Brief Description
1	2017-02-28	ZXY	Change content of the label on the the box
2	2017-06-14	ZXY	Identify the corresponding pantone number



NO.	PART NAME	SPECIFICATION DESCRIPTION	QTY	UNIT	
③					<b>Unless specified on the drawing, tolerances are per the follows:</b> .x +1 .x +0.2 .xx +0.05
②					
①					

101723 DRAWN BY	DATE: 2017/09/01	DESCRIPTION: Cat.6A Keystone Jack Blue
CHECKED BY	SHEET 1 of 2	ITEM NO. 101723
APPROVED BY	SCALE 1:1	REV. 00 UNIT: mm