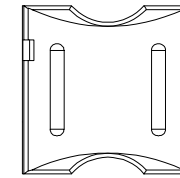
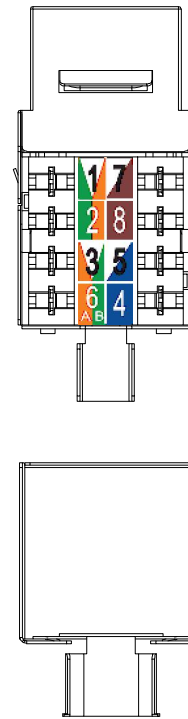
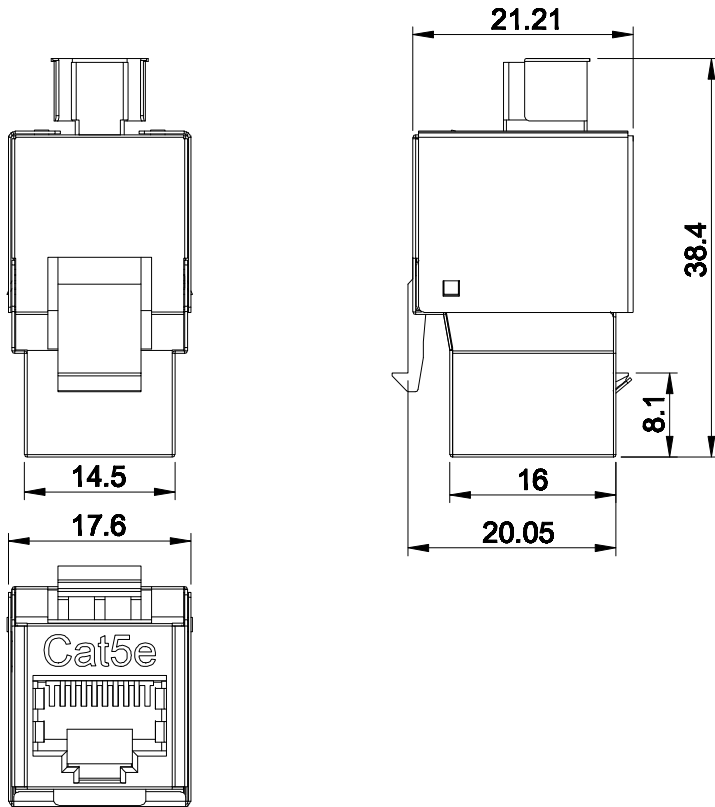


NOTE: ALL MATERIAL COMPLIANT ROHS STANDARD

REVISION INFORMATION

| Rev. | Rev. Date | Modified By | Brief Description |
|------|-----------|-------------|-------------------|
| | | | |



IDC Cap

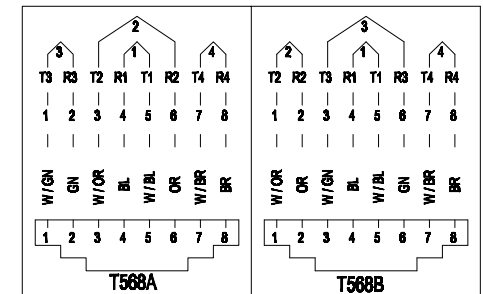
ACCORDING TO ANSI/TIA-568-C.2
REQUIREMENTS
C5 CHANNEL COMPLIANT

Cat 5e

56Y4
E145249



COMMUNICATION
CIRCUIT ACCESSORIES



MATERIAL
 KEYSTONE JACK HOUSING: ABS HIGH-IMPACT UL94V-0 THERMOPLASTIC.
 SPRING PIN: PHOSPHOR BRONZE C5210-EH, T=0.3MM;
 PLATING 120U" TIN OVER 60U" NICKEL UNDERCOAT,
 BESIDES PLATING 50U" GOLD OVER THE PLATED SURFACE ON CONTACT AREA.
 IDC HOUSING: POLYCARBONATE RESIN HIGH-IMPACT UL94V-0 THERMOPLASTIC.
 IDC CONTACT: PHOSPHOR BRONZE C5191R-H, T=0.4MM,
 PLATING 200U" MATTE TIN OVER 100U" SOFT NICKEL UNDERCOAT.
PCB: FR-4

PHYSICAL CHARACTERISTICS
 INSERTION LIFE: 750 MATING CYCLES WITH FCC COMPLIANT 8P PLUG.
 CONTACT FORCE: 100 GRAMS WITH FCC COMPLIANT 8P PLUG.
 PLUG RETENTION FORCE: 11 LBF MIN.
 DURABILITY: 200 TERMINATION CYCLES.
 CONTACT COMPATIBILITY: ACCOMMODATES 22 TO 24 AWG SOLID.
 OPERATING TEMPERATURE RANGE: -10°C TO 60°C.
 STORAGE TEMPERATURE RANGE: -40°C TO 68°C.
 HUMIDITY: 10%-90% RH.

ELECTRICAL
 INSULATION RESISTANCE: 500 M Ω.
 DIELECTRIC WITHSTANDING VOLTAGE: 1000V AC.
 DC CURRENT RATING: 1.5 Amps.
 DC RESISTANCE: 0.1 Ω.
 CONTACT RESISTANCE: 20 m Ω.

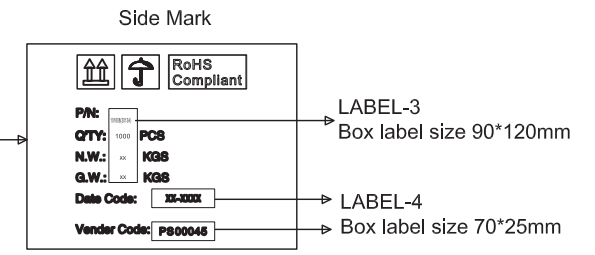
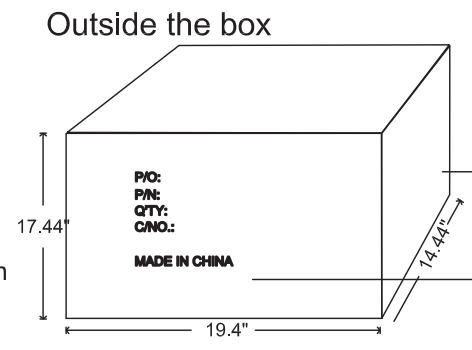
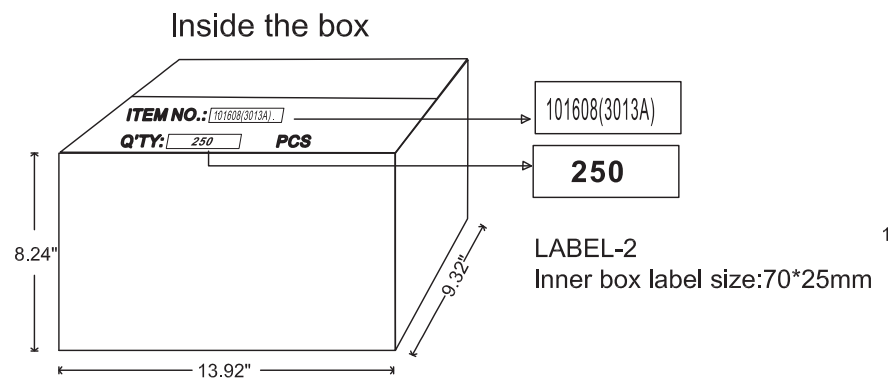
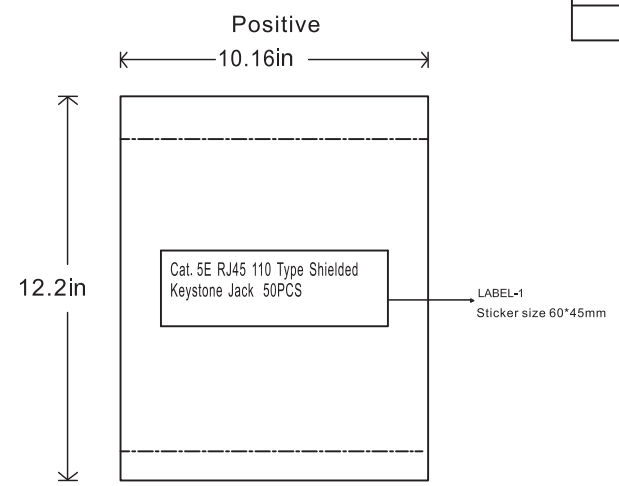
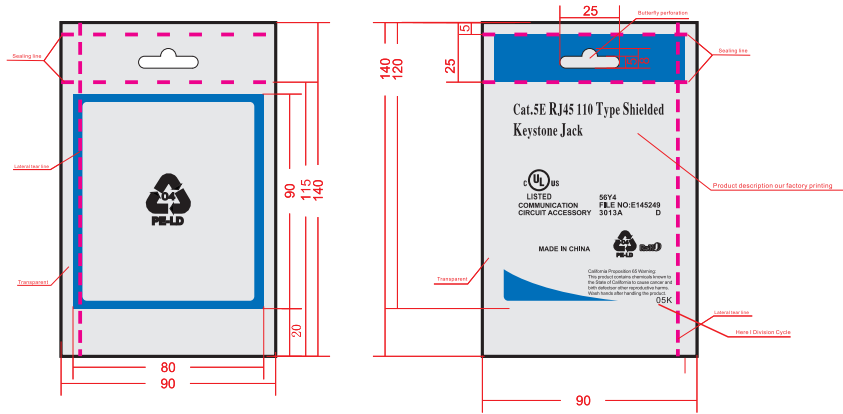
| NO. | PART NAME | SPECIFICATION DESCRIPTION | QTY | UNIT |
|-----|----------------|---------------------------|-----|------|
| ③ | | | | |
| ② | IDC Cap | 16.2*16.2mm | 1 | PCS |
| ① | Shielded shell | 24.45*16.7mm | 1 | PCS |
| | | | | |

Unless specified on the drawing, tolerances are per the follows:
 . +1
 .x +0.2
 .xx +0.05

| | | |
|-------------|---------------------|--|
| DRAWN BY | DATE: 2018-02-10 | DESCRIPTION: Cat5E RJ45 110 Type Shielded Keystone Jack |
| CHECKED BY | SHEET 1of1 | ITEM NO. 101608 |
| APPROVED BY | SCALE 1.5:1 | REV. 00 UNIT: mm |

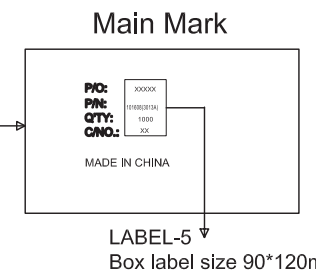
NOTE: ALL MATERIAL COMPLIANT ROHS STANDARD

| REVISION INFORMATION | | | |
|----------------------|-----------|-------------|-------------------|
| Rev. | Rev. Date | Modified By | Brief Description |
| | | | |



Unit package
Size: 13.92"(L)*9.32"(W)*8.24"(H)
Weight: XXLBS

Carton Size: 19.4"(L)*14.44"(W)*17.44"(H)
Carton Quantity: 1000PCS
Carton Weight: XXLBS



| NO. | PART NAME | SPECIFICATION DESCRIPTION | QTY | UNIT |
|-----|-----------|---------------------------|-----|------|
| ③ | | | | |
| ② | | | | |
| ① | | | | |

Unless specified on the drawing, tolerances are per the follows:
 .x +1
 .x +0.2
 .xx +0.05

| | | |
|-------------|-----------------|--|
| DRAWN BY | DATE: 2018-2-10 | DESCRIPTION: Cat.5E RJ45 110 Type Shielded Keystone Jack |
| CHECKED BY | SHEET 1 of 2 | ITEM NO. 101608 |
| APPROVED BY | SCALE 1:1 | REV. 00 UNIT: mm |