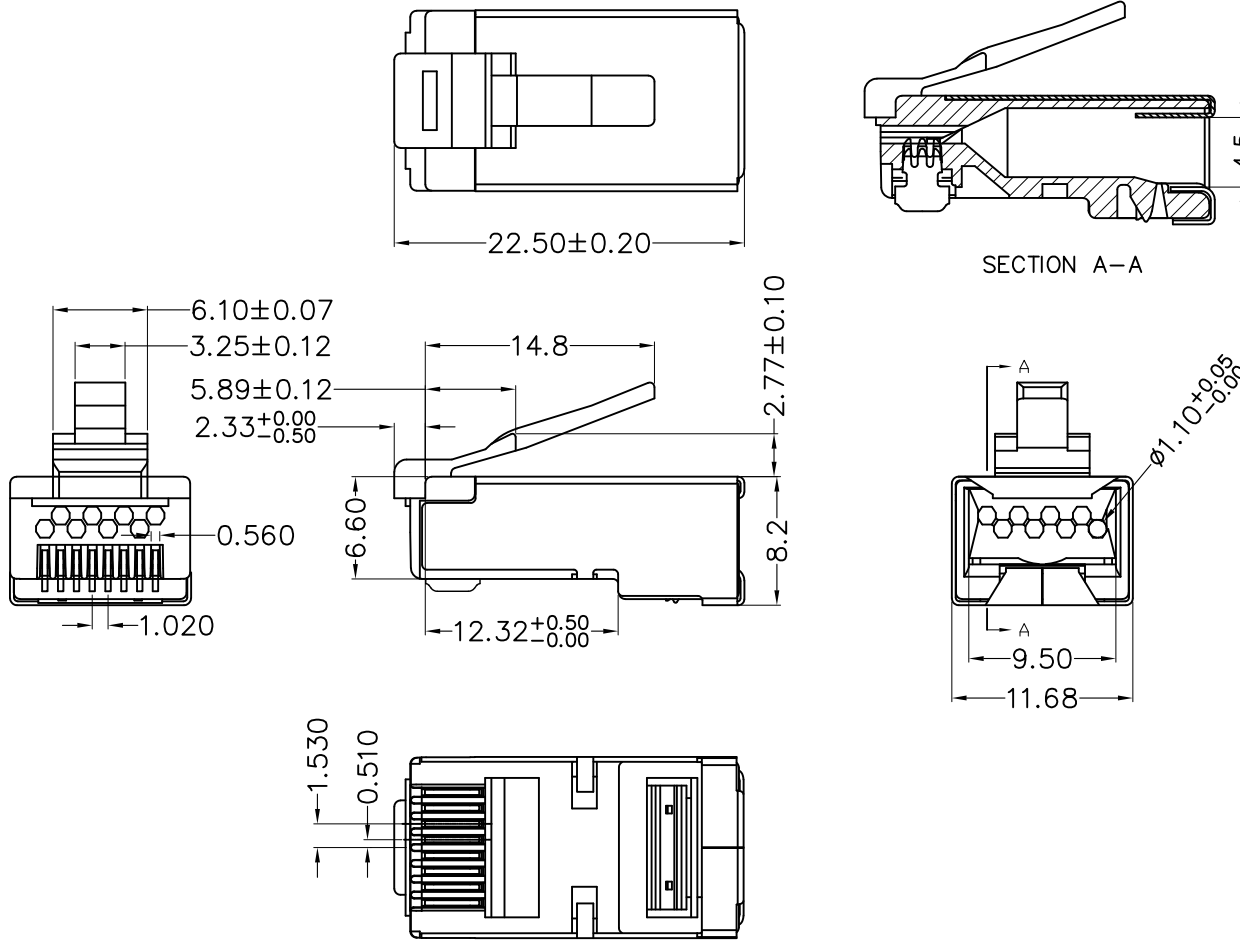


NOTE:ALL MATERIAL COMPLIANT ROHS STANDARD

11\*1451\*\*\*\*

REVISION INFORMATION

Rev.	Rev. Date	Modified By	Brief Description
01	2021.06.22	JING_LI	Change SPEC
02	2024.05.09	JING_LI	Change SPEC.



NOTES:

- Operation Temperature:  $-40^{\circ}\text{C} \sim +85^{\circ}\text{C}$ .
- Electrical Characteristics:
  - Rated Current:  $125\text{V AC}, 1.5\text{A}@25^{\circ}\text{C}$ .
  - Contact Resistance:  $20\text{m}\Omega$  Max.
  - Insulation Resistance:  $500\text{M}\Omega$  Min,  $100\text{V DC/min}$ .
  - Voltage Proof:  $1000\text{V AC}/1$  minute no breakdown.
- Mechanical Characteristics:
  - Insertion Force & Withdrawal Force:  $30\text{N}$  Max.
  - Durability:  $750$  cycles Min.
- Environmental compliance:
  - the products are compliant with the RoHS, and REACH etc.
- CONDUCTOR: STRANDED & SOLID WIRE, 26AWG. (It can be used for the wire OD from  $\phi 1.05 \sim \phi 1.10\text{mm}$ .)

1	Modular Plug	Shell	1PCS	43*20**09	Square hole	Au: G/F" <input type="checkbox"/> 1u" <input type="checkbox"/> 3u" <input type="checkbox"/> Ni:80u" <input checked="" type="checkbox"/>	Brass <input checked="" type="checkbox"/> Spcc <input type="checkbox"/>	DIMENSIONAL TOLERANCE X.X ±0.20 X.XX ±0.10 X.XXX ±0.05 ANGLE ±2°
		Contacts	8PCS	/	2Prongs <input type="checkbox"/> 3Prongs <input checked="" type="checkbox"/>	G/F" <input type="checkbox"/> 1u" <input type="checkbox"/> 3u" <input type="checkbox"/> 6u" <input type="checkbox"/> 15u" <input type="checkbox"/> 30u" <input type="checkbox"/> 50u" <input checked="" type="checkbox"/> OTHER <input type="checkbox"/>	Brass <input checked="" type="checkbox"/> Phosphor copper <input type="checkbox"/>	
		Housing	1PCS	21*1451**	Cat.6A/FTP HOUSING/LONG BODY/4UP AND 4DOWN		94V-2 <input checked="" type="checkbox"/> 94V-0 <input type="checkbox"/>	
NO	NAME	QTY	PART NO.	DESCRIPTION	MATERIAL			

DRAWN BY	DATE 2024.05.09	DESCRIPTION: RJ45 Cat.6A STP Feed Through Plug for Solid and Stranded 3-Prong 50 Micron 100pk		
CHECKED BY	SHEET 1 of 3	ITEM NO:101413		
APPROVED BY	SCALE 1:1	REV:02	UNIT:mm	

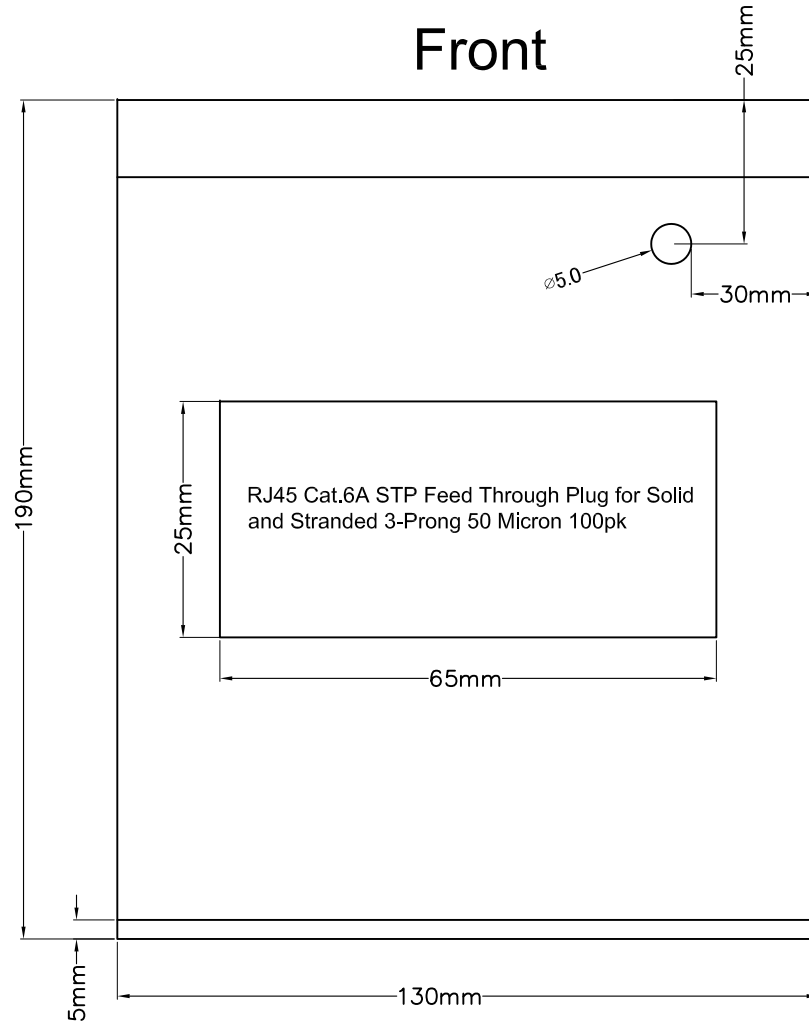
NOTE: ALL MATERIAL COMPLIANT ROHS STANDARD

REVISION INFORMATION

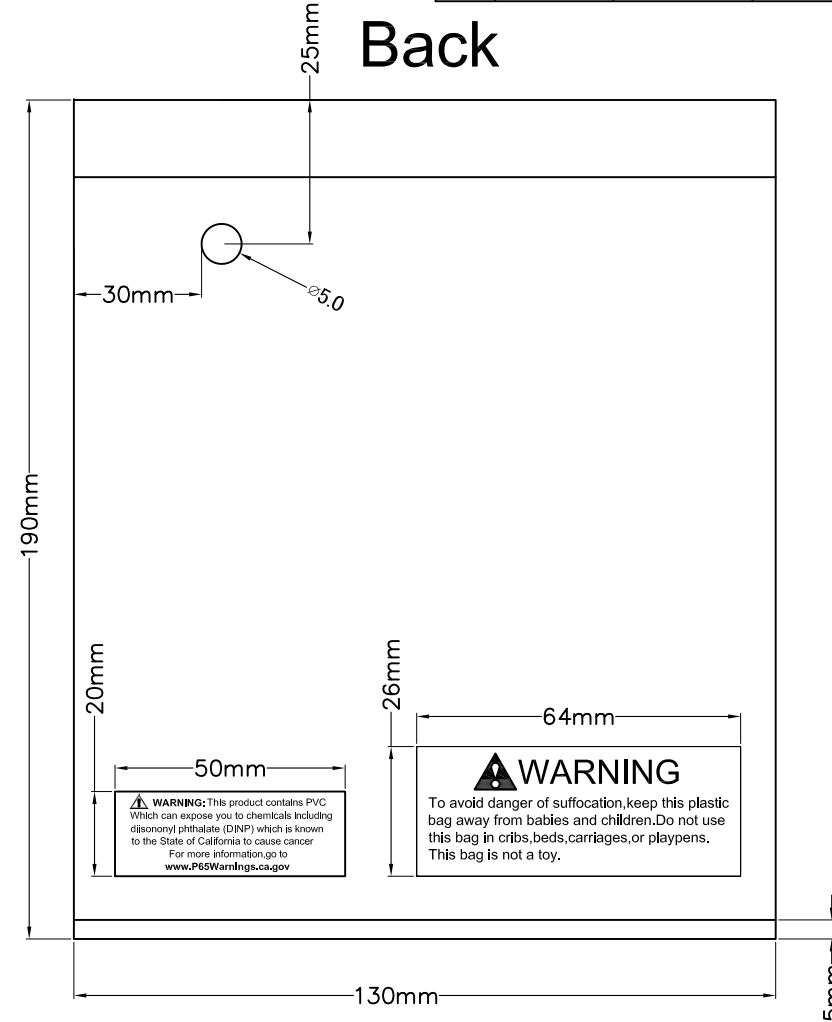
Rev.	Rev. Date	Modified By	Brief Description
01	2021.06.22	JING_LI	Change SPEC
02	2024.05.09	JING_LI	Change SPEC.

Polybag size: 130\*190\*0.06mm

Front



Back



DRAWN BY	DATE 2024.05.09	DESCRIPTION: RJ45 Cat.6A STP Feed Through Plug for Solid and Stranded 3-Prong 50 Micron 100pk		
CHECKED BY	SHEET 2 of 3	ITEM NO:101413		
APPROVED BY	SCALE 1:1	REV:02	UNIT:mm	

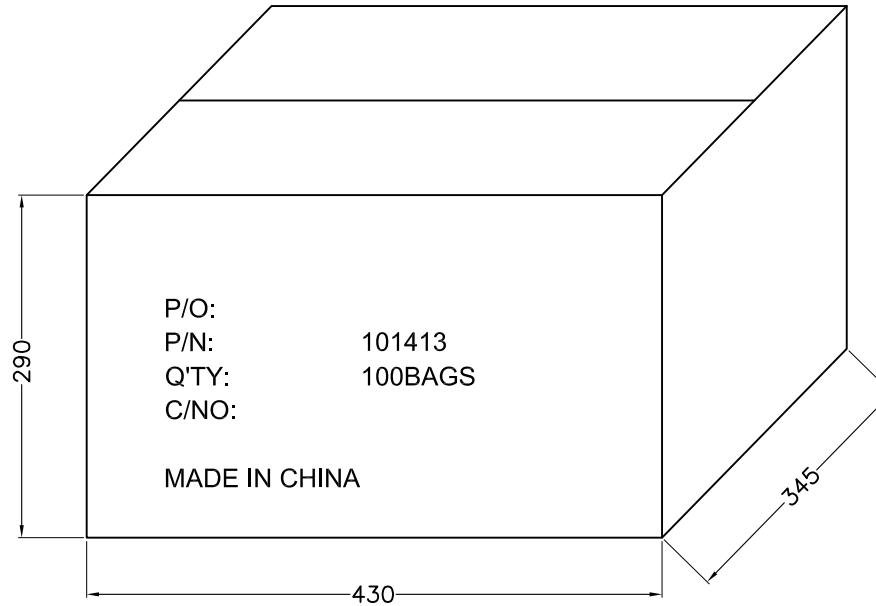
NOTE:ALL MATERIAL COMPLIANT ROHS STANDARD

REVISION INFORMATION




Rev.	Rev. Date	Modified By	Brief Description
01	2021.06.22	JING_LI	Change SPEC
02	2024.05.09	JING_LI	Change SPEC.

Main Mark

P/O:  
P/N: 101413  
Q'TY: 100BAGS  
C/NO:  
  
MADE IN CHINA



Side Mark

 P/N: 101413  
 Q'TY: 100BAGS  
 N.W: KGS  
G.W: KGS  
Date Code:  
Vender Code:

Carton Size: 430x345x290MM  
Carton Quantity: 100BAGS

100PCS/PE BAG

100BAGS/CARTON



DRAWN BY	DATE 2024.05.09	DESCRIPTION: RJ45 Cat.6A STP Feed Through Plug for Solid and Stranded 3-Prong 50 Micron 100pk		
CHECKED BY	SHEET 3 of 3	ITEM NO:101413		
APPROVED BY	SCALE 1:1	REV:02	UNIT:mm	