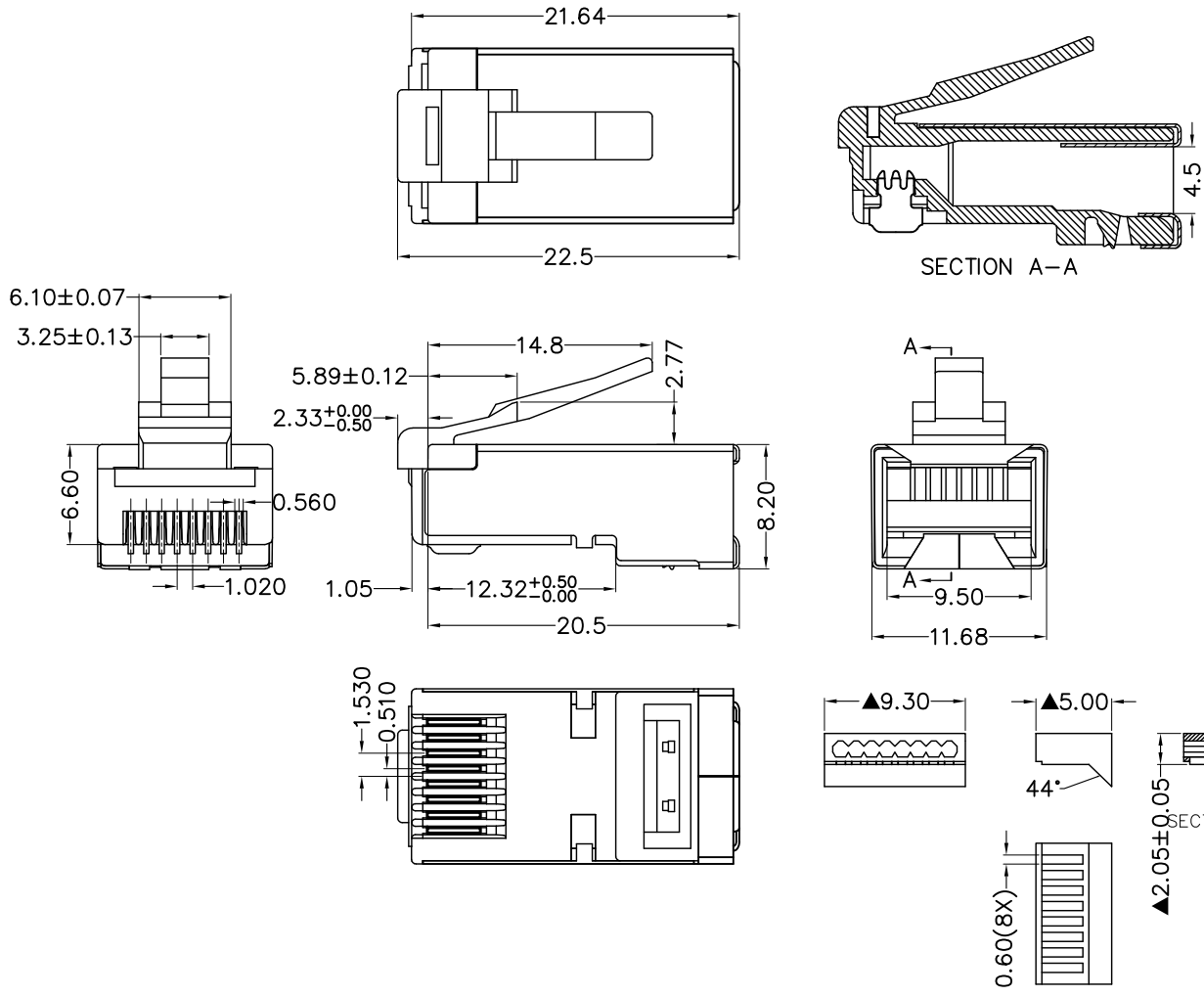


NOTE:ALL MATERIAL COMPLIANT ROHS STANDARD

11*1461****

REVISION INFORMATION

Rev.	Rev. Date	Modified By	Brief Description

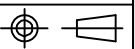


NOTES:

- 1.Operation Temperature:-40℃~+85℃.
- 2.Electrial Characteristics:
 - 2.1>Rated Current:125V AC,1.5A@25℃.
 - 2.2>Contact Resistance:20mΩ Max.
 - 2.3>Insulation Resistance:500MΩ Min,100V DC/min.
 - 2.4>Voltage Proof: 1000V AC/1 minute no breakdown.
- 3.Mechanical Characteristics:
 - 3.1>Insertion Force & Withdrawal Force:30N Max.
 - 3.2>Durability:750 cycles Min.
- 4.Environmental compliance:
 - 4.1>the products are compliant with the RoHS, and REACH etc.
- 5.CONDUCTOR:STRANDED&SOLID WIRE,23AWG,24AWG. (It can be used for the wire OD fromØ0.96~Ø1.02mm.)

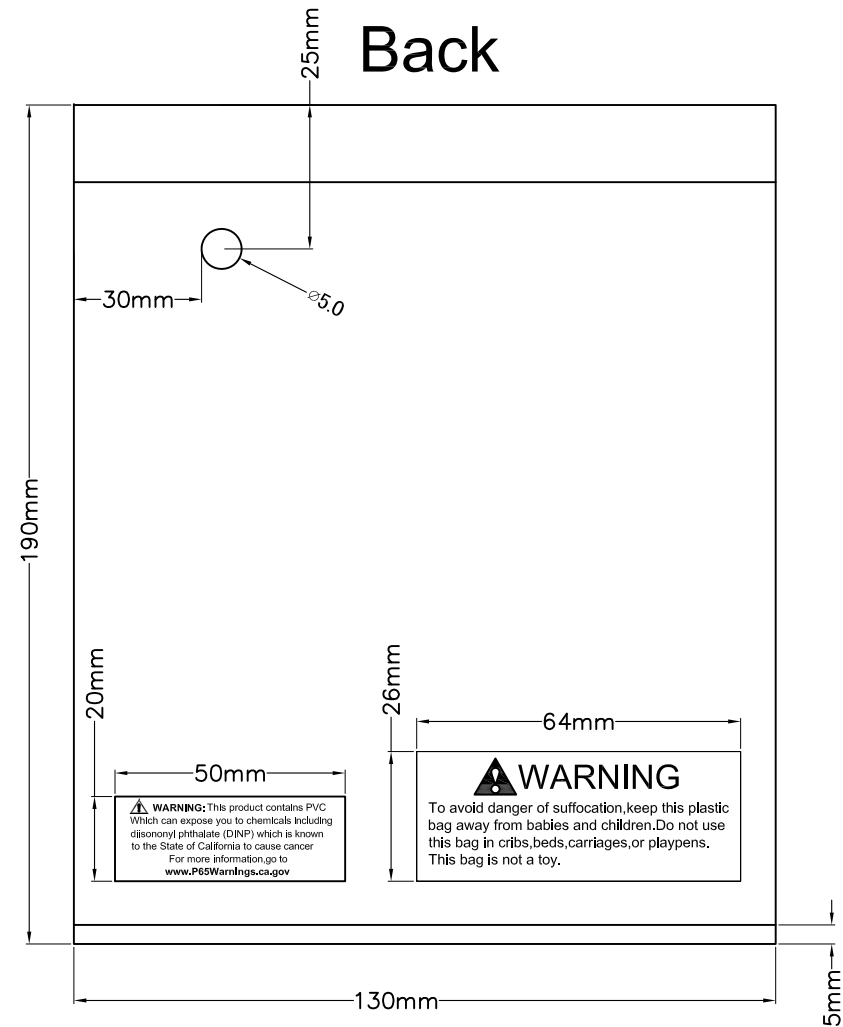
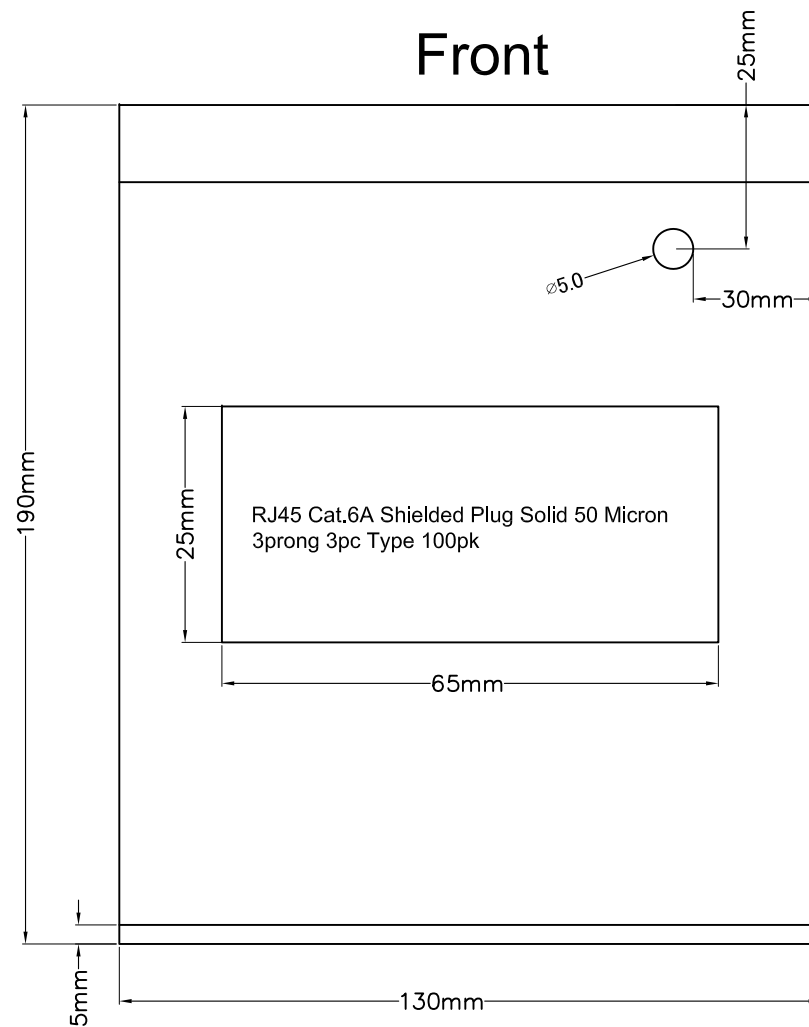
3	Load Bar		1PCS	30*0401**	Load Bar,Single Row Ø1.00mm	Transparent PC	DIMENSIONAL TOLERANCE
2	Line Frame		1PCS	31*0000**	Line Frame One-piece	Transparent PC	
1	Modular Plug	Shell	1PCS	43*20**09	Square hole Au: G/F" <input type="checkbox"/> 1u" <input type="checkbox"/> 3u" <input type="checkbox"/> Ni:80u" <input checked="" type="checkbox"/>	Brass <input checked="" type="checkbox"/> Spcc <input type="checkbox"/>	X.X ±0.20
		Contacts	8PCS	/	2Prongs <input type="checkbox"/> G/F" <input type="checkbox"/> 1u" <input type="checkbox"/> 3u" <input type="checkbox"/> 6u" <input type="checkbox"/> 3Prongs <input checked="" type="checkbox"/> 15u" <input type="checkbox"/> 30u" <input type="checkbox"/> 50u" <input checked="" type="checkbox"/> OTHER <input type="checkbox"/>	Brass <input checked="" type="checkbox"/> Phosphor copper <input type="checkbox"/>	X.XX ±0.10
		Housng	1PCS	21*1461**	CAT6A/FTP HOUSING/LONG BODY/SINGLE ROW	94V-2 <input checked="" type="checkbox"/> 94V-0 <input type="checkbox"/>	X.XXX ±0.05
NO	NAME	QTY	PART NO.	DESCRIPTION	MATERIAL	ANGLE	±2°

DRAWN BY	DATE 2024.04.27	DESCRIPTION: RJ45 Cat.6A Shielded Plug Solid 50 Micron 3prong 3pc Type 100pk
CHECKED BY	SHEET 1 of 3	ITEM NO:101234
APPROVED BY	SCALE 1:1	REV:01
		UNIT:mm



Rev.	Rev. Date	Modified By	Brief Description

Polybag size: 130*190*0.06mm



DRAWN BY	DATE 2024.04.27	DESCRIPTION: RJ45 Cat.6A Shielded Plug Solid 50 Micron 3prong 3pc Type 100pk		
CHECKED BY	SHEET 2 of 3	ITEM NO:101234		
APPROVED BY	SCALE 1:1	REV:01	UNIT:mm	

NOTE:ALL MATERIAL COMPLIANT ROHS STANDARD

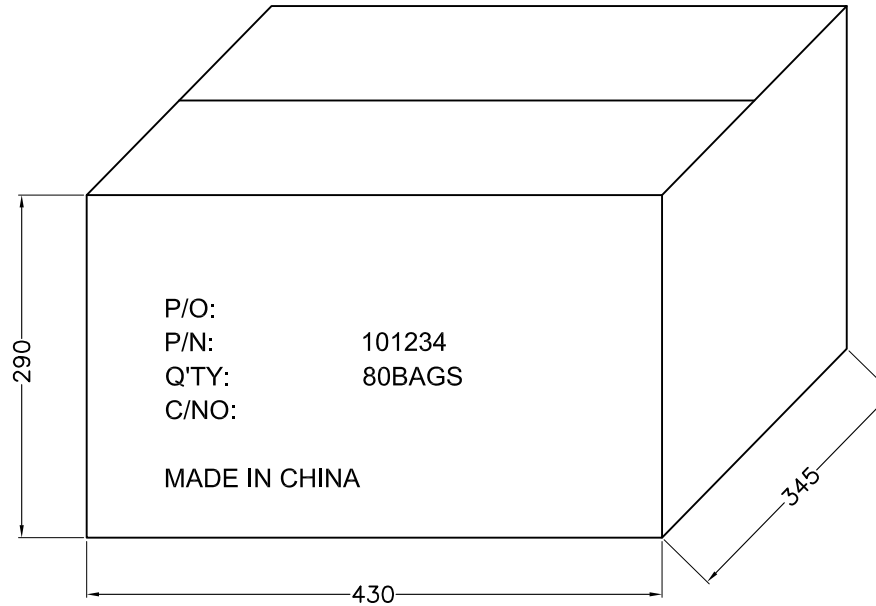
REVISION INFORMATION

Rev.	Rev. Date	Modified By	Brief Description



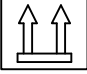
Main Mark

P/O:
P/N: 101234
Q'TY: 80BAGS
C/NO:

MADE IN CHINA



Side Mark

	P/N:	101234
	Q'TY:	80BAGS
	N.W:	KGS
	G.W:	KGS
	Date Code:	
	Vender Code:	

Carton Size: 430x345x290MM
Carton Quantity: 80BAGS

100PCS/PE BAG

80BAGS/CARTON



DRAWN BY	DATE 2024.04.27	DESCRIPTION: RJ45 Cat.6A Shielded Plug Solid 50 Micron 3prong 3pc Type 100pk		
CHECKED BY	SHEET 3 of 3	ITEM NO:101234		
APPROVED BY	SCALE 1:1	REV:01	UNIT:mm	