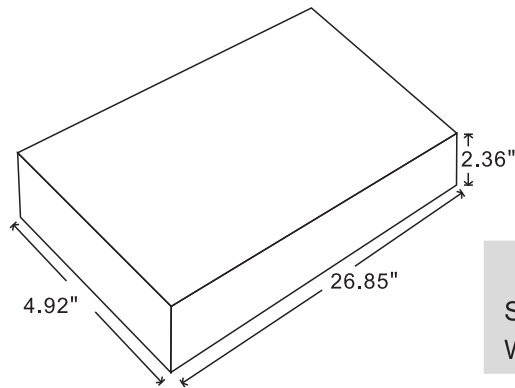


NOTE: CARTON MATERIAL MUST BE A=A

REVISION INFORMATION

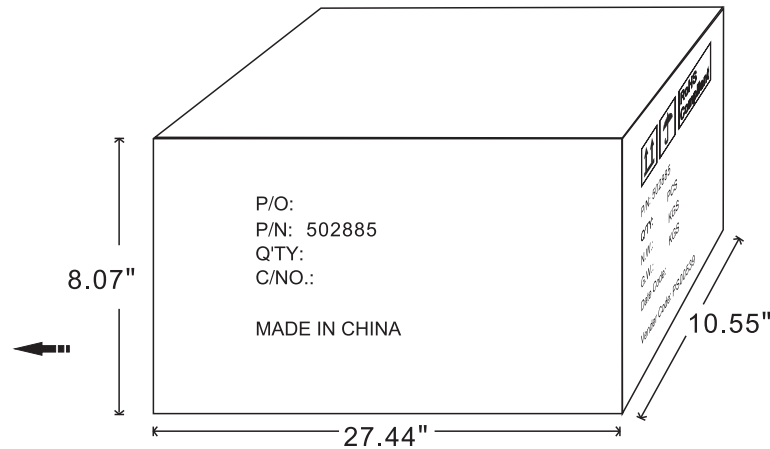
Rev.	Rev. Date	Modified By	Brief Description



Unit package
 Size: 26.85"(L)*4.92"(W)*2.36"(H)
 Weight: 6.07LBS

P/O:
 P/N: 502885
 Q'TY:
 C/NO.:

 MADE IN CHINA



Carton Size: 27.44"(L)*10.55"(W)*8.07"(H)
 Carton Quantity: 6pcs
 Carton Weight: 37.73LBS

**RoHS
Compliant**

P/N: 502885
 Q'TY: PCS
 N.W.: KGS
 G.W.: KGS
 Date Code:
 Vender Code: PS00539

DRAWN BY	DATE: 2018/11/2	DESCRIPTION: Tilt Wall Mount LP59-46T	
CHECKED BY	SHEET 1of1	ITEM NO. 502885	
APPROVED BY	SCALE 1: 1	REV. 00	UNIT:mm