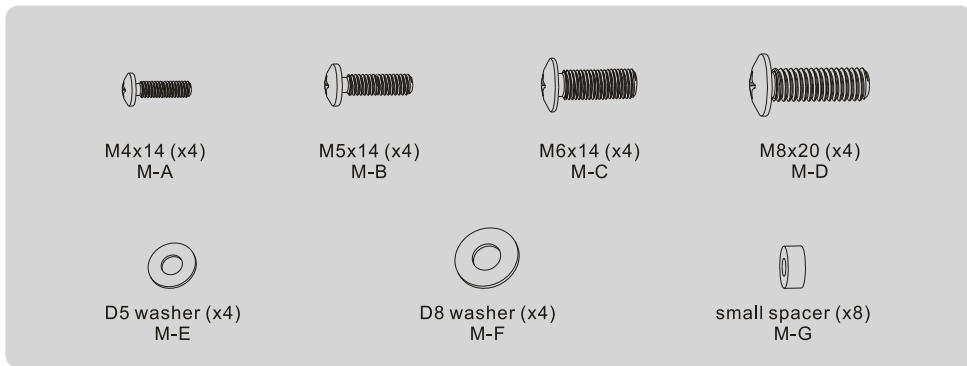
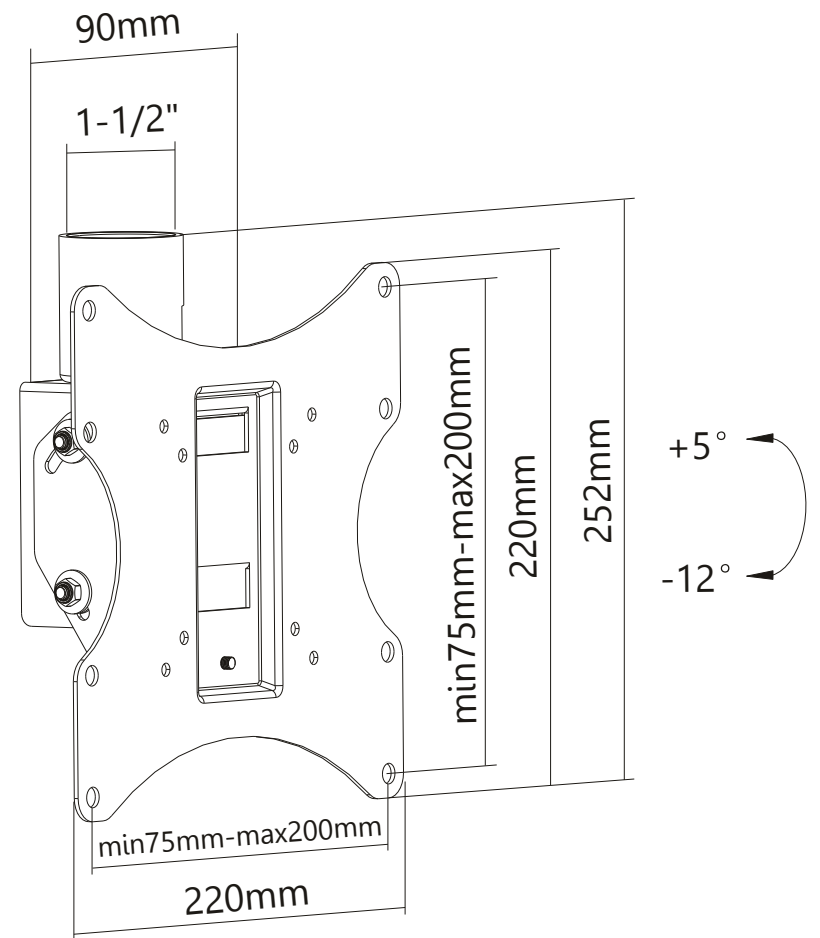
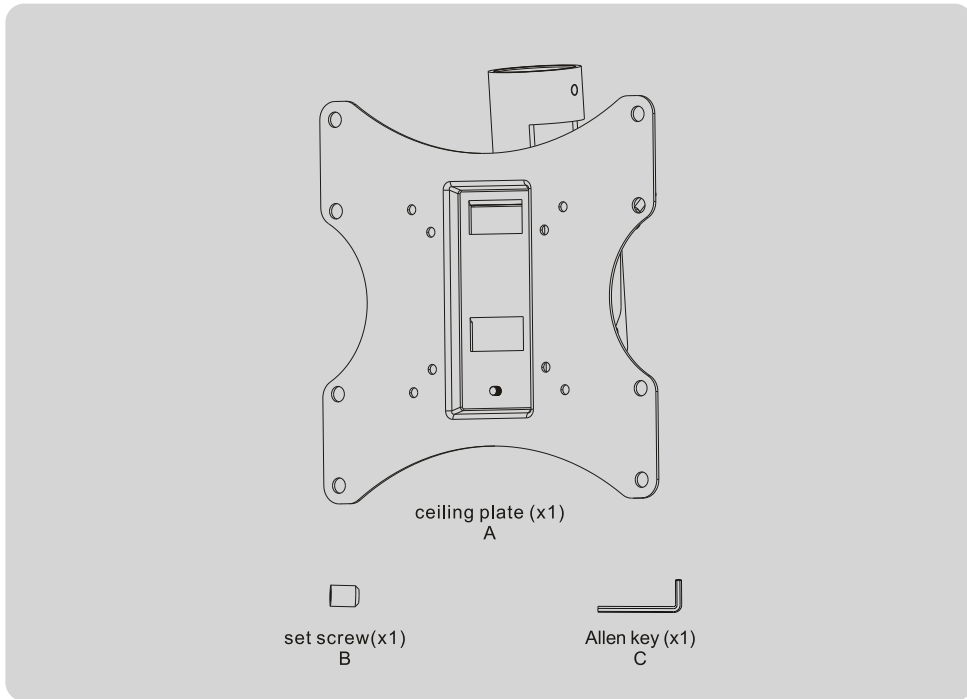


NOTE: ALL MATERIAL COMPLIANT ROHS STANDARD

REVISION INFORMATION

Rev.	Rev. Date	Modified By	Brief Description



NO.	PART NAME	SPECIFICATION DESCRIPTION	QT'Y	UNIT
③				
②				
①				

Unless specified on the drawing, tolerances are per the follows:  
 .           +1  
 .x          +0.2  
 .xx         +0.05

DRAWN BY	DATE: 2021/2/18	DESCRIPTION: Flat Panel Ceiling Mount Accessory PLB-CE8-0622	
CHECKED BY	SHEET 1of1	ITEM NO. 502864BK	
APPROVED BY	SCALE 1:1	REV. 00	UNIT:mm

