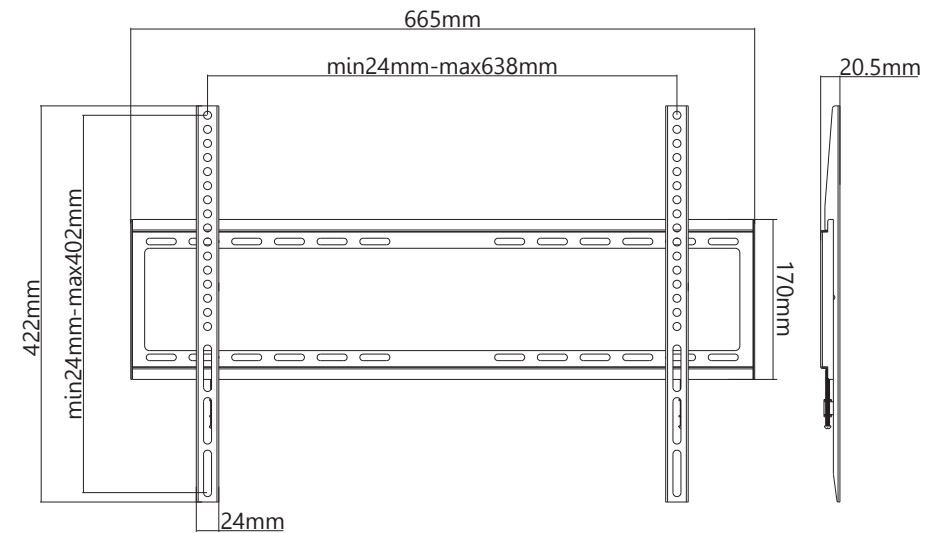
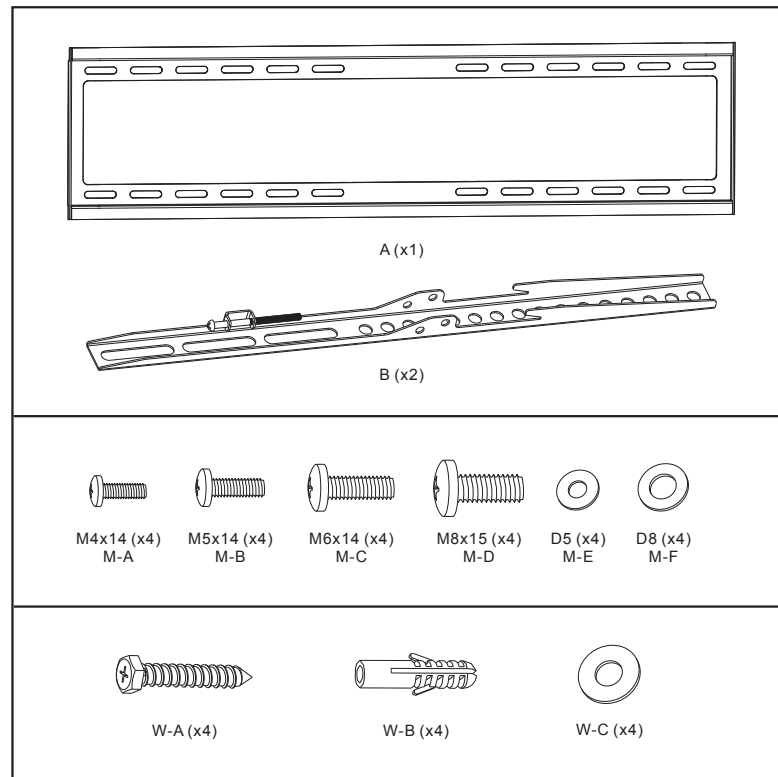


NOTE: ALL MATERIAL COMPLIANT ROHS STANDARD

REVISION INFORMATION

Rev.	Rev. Date	Modified By	Brief Description



NO.	PART NAME	SPECIFICATION DESCRIPTION	QT'Y	UNIT
③				
②				
①				

Unless specified on the drawing, tolerances are per the follows:
 .x +1
 .x +0.2
 .xx +0.05

DRAWN BY	DATE: 2021/2/18	DESCRIPTION: Fixed TV Wall Mount KL22G-64F
CHECKED BY	SHEET 1 of 1	ITEM NO. 502730BK
APPROVED BY	SCALE 1:1	REV. 00 UNIT:mm

