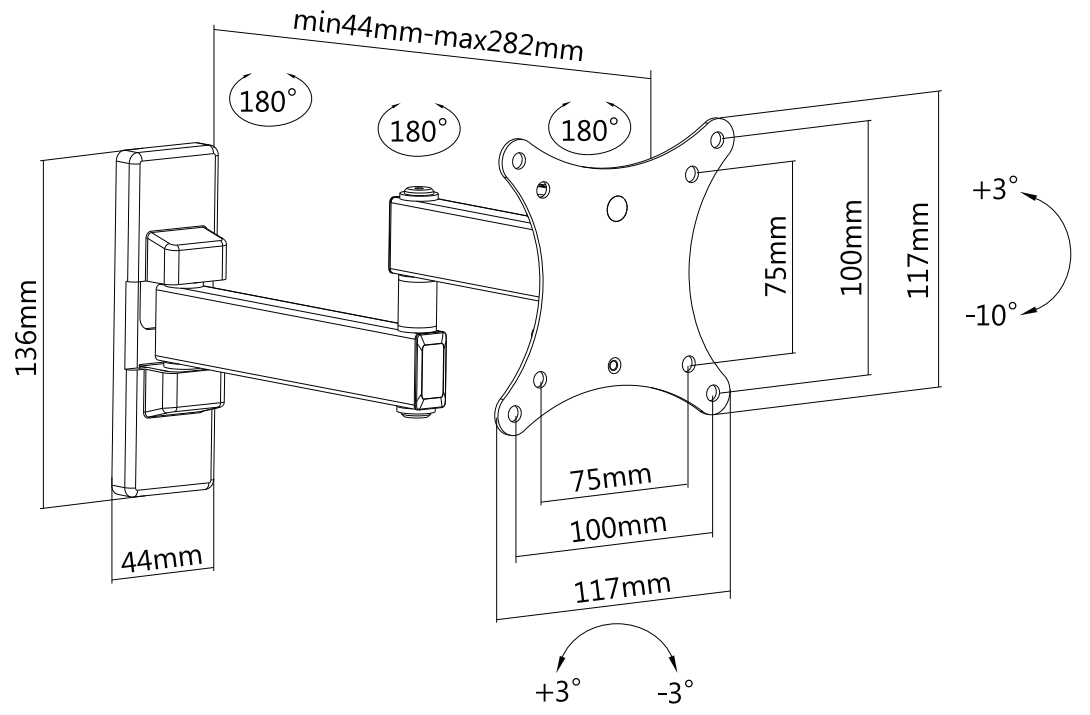


NOTE: ALL MATERIAL COMPLIANT ROHS STANDARD

REVISION INFORMATION			
Rev.	Rev. Date	Modified By	Brief Description



<p>A (x1)</p>	<p>M4x14 (x4) M-A</p>	<p>M5x14 (x4) M-B</p>	<p>D5 (x4) M-C</p>
	<p>W-A (x3)</p>	<p>W-B (x3)</p>	<p>W-C (x3)</p>



NO.	PART NAME	SPECIFICATION DESCRIPTION	QT'Y	UNIT
③				
②				
①				

Unless specified on the drawing, tolerances are per the follows:
 . +1
 .x +0.2
 .xx +0.05

DRAWN BY	DATE: 2021/2/18	DESCRIPTION: Full Motion TV Wall Mount KLA26-112	
CHECKED BY	SHEET 1of1	ITEM NO. 502692BK	
APPROVED BY	SCALE 1:1	REV. 00	UNIT:mm

