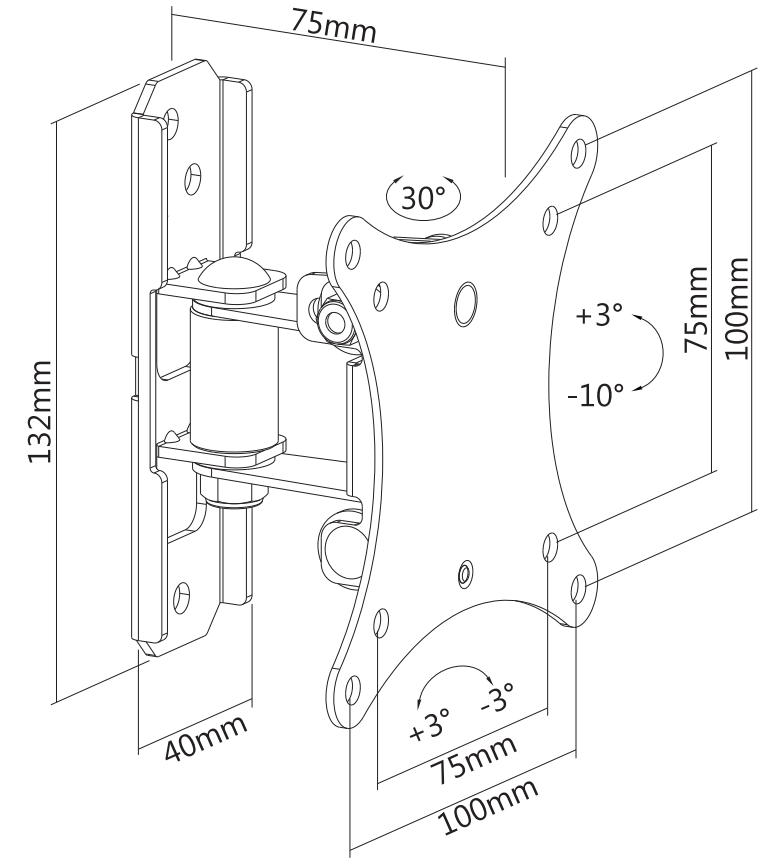


NOTE: ALL MATERIAL COMPLIANT ROHS STANDARD

| REVISION INFORMATION | | | |
|----------------------|-----------|-------------|-------------------|
| Rev. | Rev. Date | Modified By | Brief Description |
| | | | |



| | | | |
|---|---------------------------|---------------------------|------------------------|
| <p>A (x1) B (x1)</p> | <p>M4x14 (x4) M-A</p> | <p>M5x14 (x4) M-B</p> | <p>D5 (x4) M-C</p> |
| | <p>W-A (x3)</p> | <p>W-B (x3)</p> | <p>W-C (x3)</p> |



| NO. | PART NAME | SPECIFICATION DESCRIPTION | QT'Y | UNIT |
|-----|-----------|---------------------------|------|------|
| ③ | | | | |
| ② | | | | |
| ① | | | | |

Unless specified on the drawing, tolerances are per the follows:
 . +1
 .x +0.2
 .xx +0.05

| | | | |
|-------------|--------------------|---|----------|
| DRAWN BY | DATE: 2021/2/18 | DESCRIPTION: Pivoting TV Wall Mount KLA26-110 | |
| CHECKED BY | SHEET 1 of 1 | ITEM NO. 502690BK | |
| APPROVED BY | SCALE 1:1 | REV. 00 | UNIT: mm |

