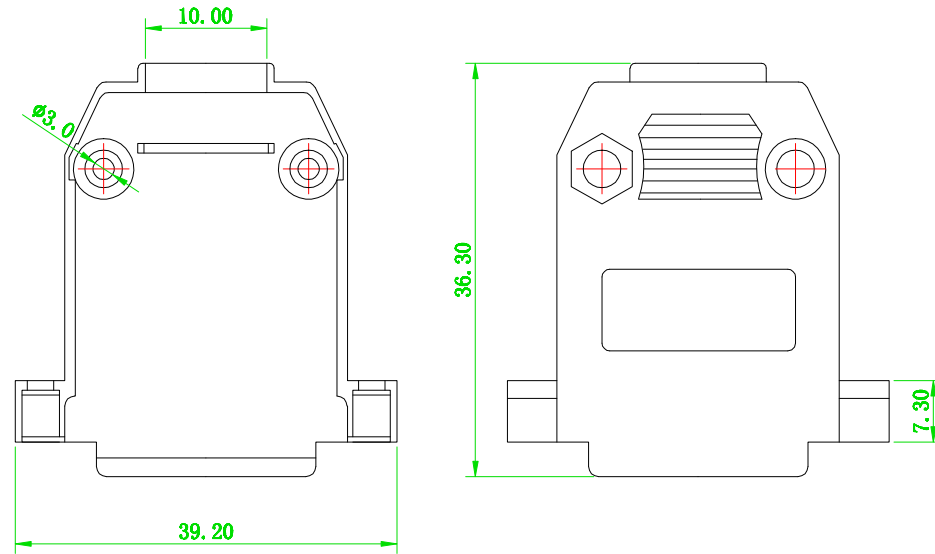


NOTE: ALL MATERIAL COMPLIANT ROHS STANDARD

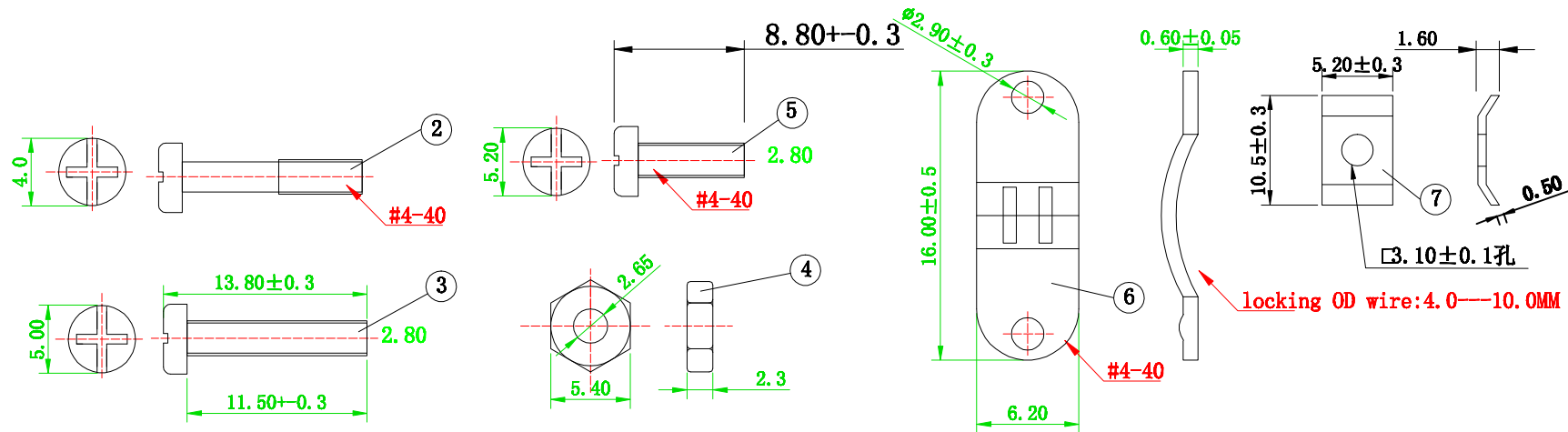
REVISION INFORMATION

Rev.	Rev. Date	Modified By	Brief Description



D-SUB15P assembly shell

Item	name	ty	materidl
①	top and bottom shell	1 SET	Three price
②	screw	2 PCS	iron plated nickel
③	set screws	2 PCS	iron plated nickel
④	hold-down nut	2 PCS	iron plated nickel
⑤	Thread clamp screw	2 PCS	iron plated nickel
⑥	Thread clamp clip	2 PCS	iron plated nickel
⑦	Thread clamp clip gasket	2 PCS	iron plated nickel



DRAWN BY	DATE: 2012/7/6	DESCRIPTION: DB15 Plastic Hoods metalized screw type
CHECKED BY	SHEET 1 of 1	ITEM NO. 273035
APPROVED BY	SCALE 1:1	REV. 00
	UNIT: mm	