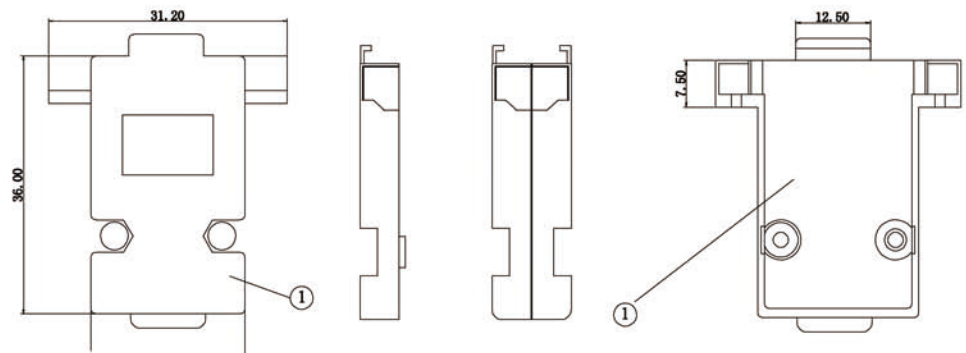


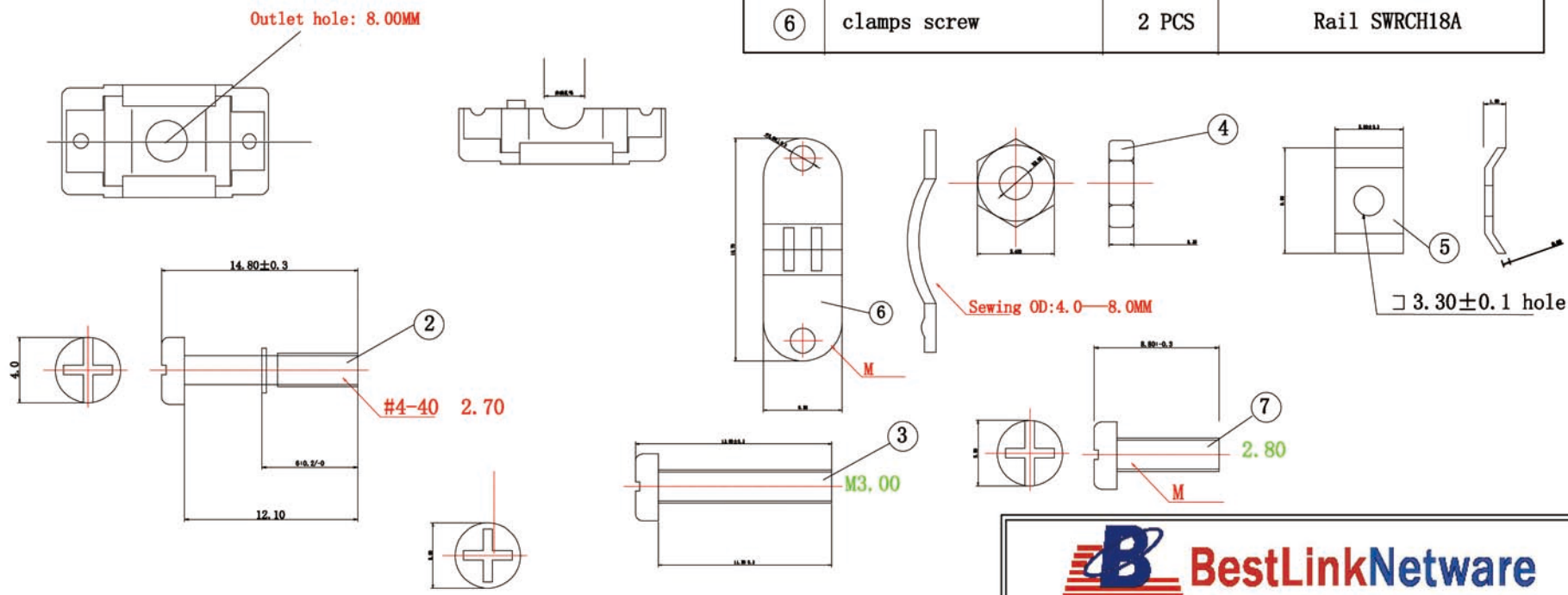
NOTE: ALL MATERIAL COMPLIANT ROHS STANDARD

REVISION INFORMATION			
Rev.	Rev. Date	Modified By	Brief Description

D-SUB09P connector



no	name	qty	material
①	shell	1 SET	sliver Metal layer
②	Half teeth screw	2 PCS	Rail SWRCH18A
③	stable screw	2 PCS	Rail SWRCH18A
④	stable Screw nut	2 PCS	Rail SWRCH18A
⑤	Gasket	2 PCS	Iron sheet cold rolled plate
⑥	Clamps	2 PCS	Iron sheet cold rolled plate
⑥	clamps screw	2 PCS	Rail SWRCH18A




BestLinkNetware

DRAWN BY	DATE: 2013/07/09	DESCRIPTION: D09 Metalized Plastic Hoods
CHECKED BY	SHEET 1 of 1	ITEM NO. 273032
APPROVED BY	SCALE 1:1	REV. 00 UNIT: mm

NO.	PART NAME	SPECIFICATION DESCRIPTION	QTY	UNIT
①				
②				
③				