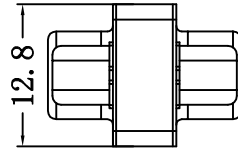


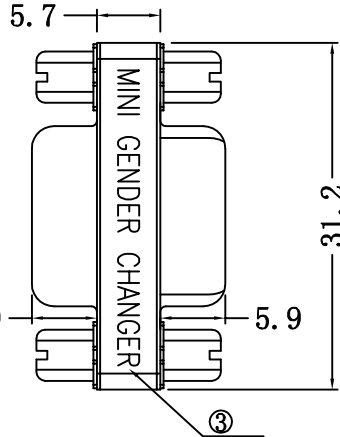
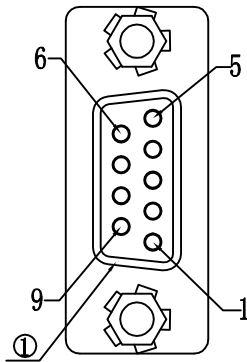
NOTE:ALL MATERIAL COMPLIANT ROHS STANDARD

REVISION INFORMATION

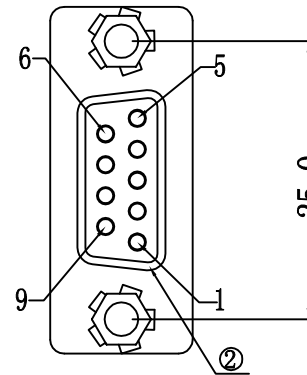
Rev.	Rev. Date	Modified By	Brief Description



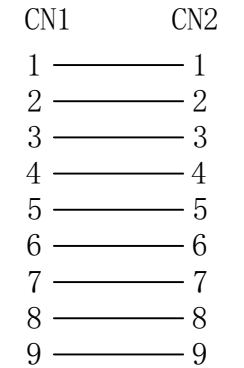
CN1



CN2



WIRE DIAGRAM



SHELL—SHELL

NOTE:

- 100% short/open circuited&wrong connection test conditions.
- Conduction impedance $\leq 5\Omega$, Insulation resistance $\geq 10M\Omega$. High voltage test, DC300V/10ms
- Marked with ▲ which is important measurement dimensions



①	CONN	DB 9P F CONNECOR	1	PCS
②	CONN	DB 9P F CONNECOR	1	PCS
③	THE CONNECTION	CONNECTOR THE CONNECTION	9	PCS
NO.	PART NAME	SPECIFICATION DESCRIPTION	QTY	UNIT

Unless specified on the drawing, tolerances are per the follows:

.	+1
.x	+0.2
.xx	+0.05

DRAWN BY	DATE: 2015/12/25	DESCRIPTION: DB9 Female/Female Mini Gender Changer	
CHECKED BY	SHEET 1of1	ITEM NO. 271002	
APPROVED BY	SCALE 1:1	REV. 00	UNIT:mm