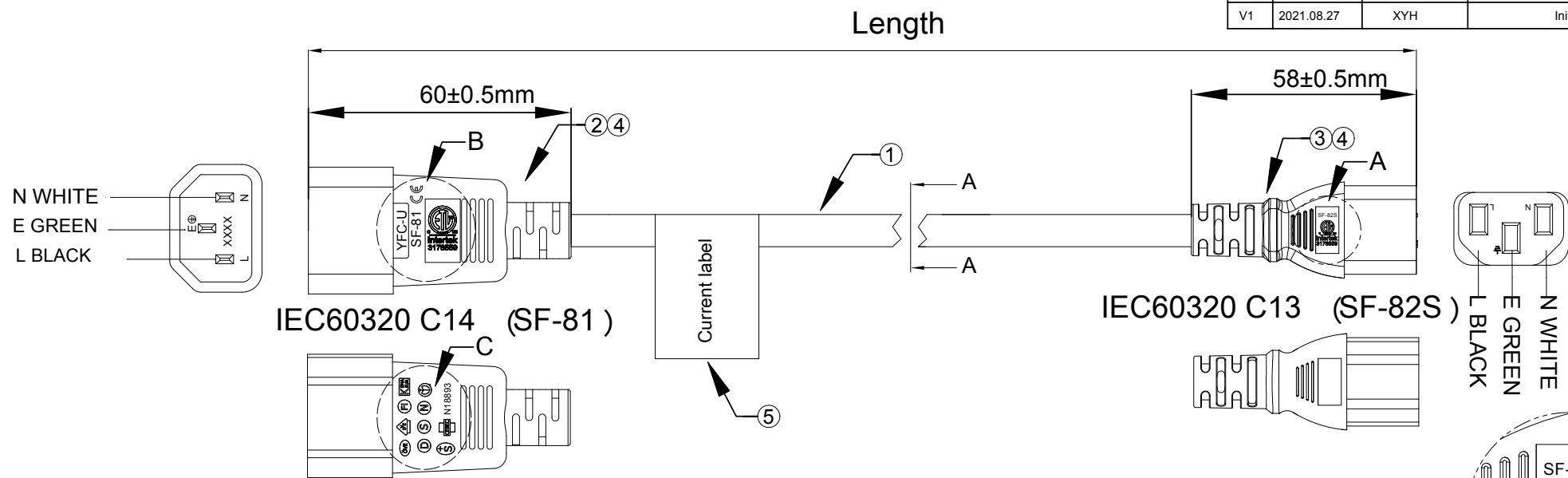
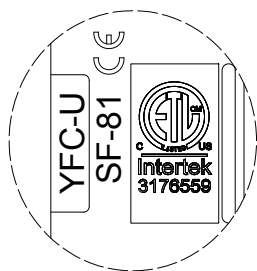


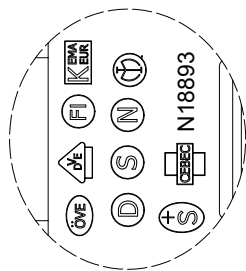
Rev.	Rev. Date	Modified By	Brief Description
V1	2021.08.27	XYH	Initial Issue



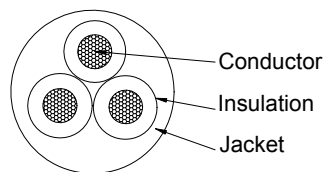
WIRE MARKING(N0.702):  
 (ETL)US 3176559 SJT 3×14AWG 105°C 300V VW-1  
 C(ETL) SJT 3×2.08 mm<sup>2</sup> (14AWG) FT2



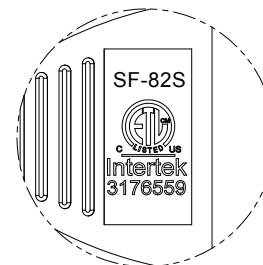
B=B 2:1 Enlarge



C=C 2:1 Enlarge



A=A Section



A=A 3:1 Enlarge

Pinout		
IEC60320 C14 SF-81	Wire	IEC60320 C13 SF-82S
E	GREEN	E
N	WHITE	N
L	BLACK	L

Polarity and Continuity Test	
Dielectric Voltage Withstand Test :1500V /1 Sec	
Electrical Performance (20°C)	
Item	Parameter
Conductor resistance	≤ 8.88Ω/1000m
Voltage Rating	AC 300V

NO.	PART NAME	SPECIFICATION DESCRIPTION	QTY	UNIT
⑤	Current label	C (ETL) US General Use Cordset Indoor label 15A 125V	1	PC
④	Molding	PVC 40P	AR	G
③	Terminal	C13Terminal Brass Natural color and Bracket, With 18-14AWG	1	PC
②	Terminal	C14Terminal Brass Natural color and Bracket, With 18-14AWG	1	PC
①	Cable	SJT 14AWGx3C 105°C	1	PC

VENDOR CODE :		DESCRIPTION : Extension Cord - IEC 60320 C14 to IEC 60320 C13, 14AWG, 15A, SJT, 100-250V,	
APPROVED BY PM & DATE :			
PM PRINT NAME :		DATE : 2021.08.27	UNIT : MM
		SHEET: 1 OF 4	FILE NAME: PID_PRODUCT