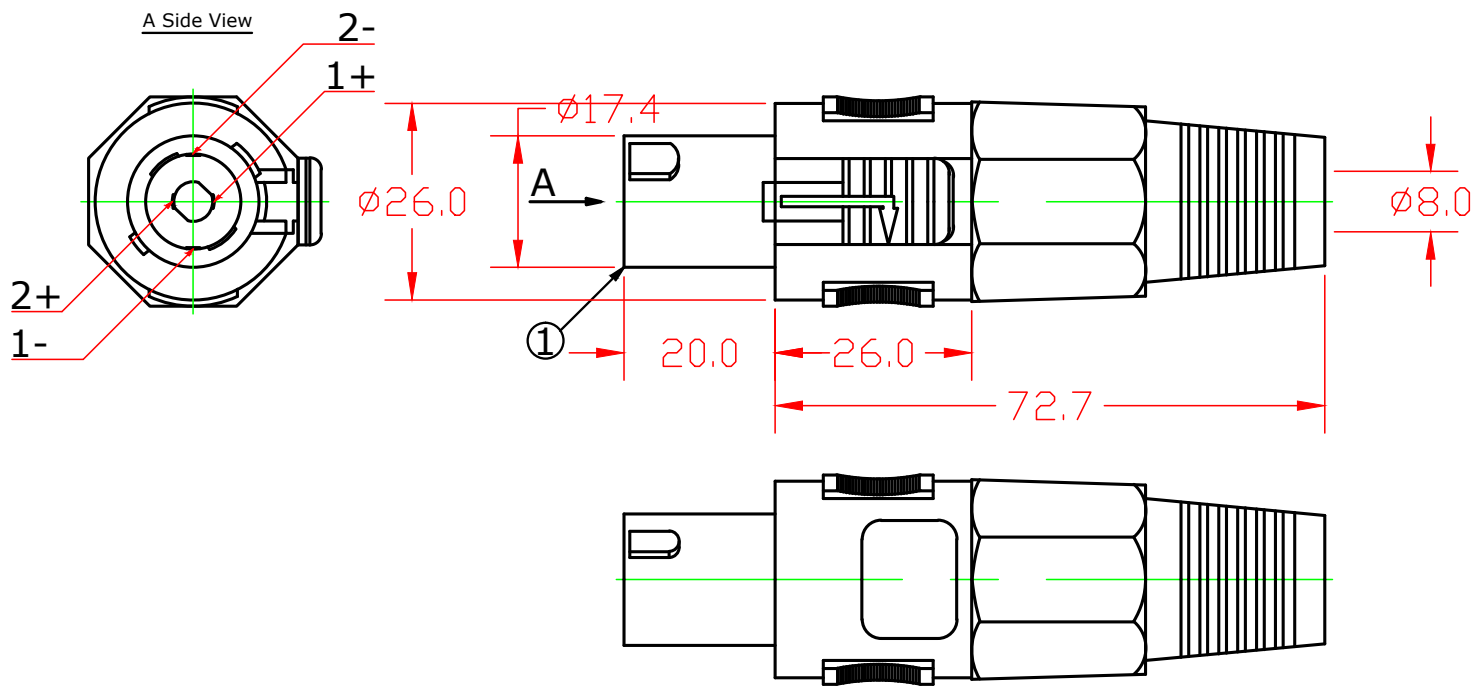


NOTE: ALL MATERIAL COMPLIANT ROHS STANDARD.

**RoHS
Compliant**

REVISION INFORMATION			
Rev.	Rev. Date	Modified By	Brief Description
V1.0	FEB.21.14		INITIAL RELEASE



ELECTRICAL TESTING
1. CONDUCTOR RESISTANCE: $\leq 5\Omega$ 300V DC



DRAWN BY	DATE: 2014/02/21	DESCRIPTION: Speak-On Male Connector
CHECKED BY	SHEET 1 of 1	ITEM NO. 202451
APPROVED BY	SCALE 1:1	REV. 00 UNIT: mm

NO.	PART NAME	SPECIFICATION DESCRIPTION	Q'TY	UNIT
①	Speak-On Male Conector	Speak-On Male Conector	1	PC