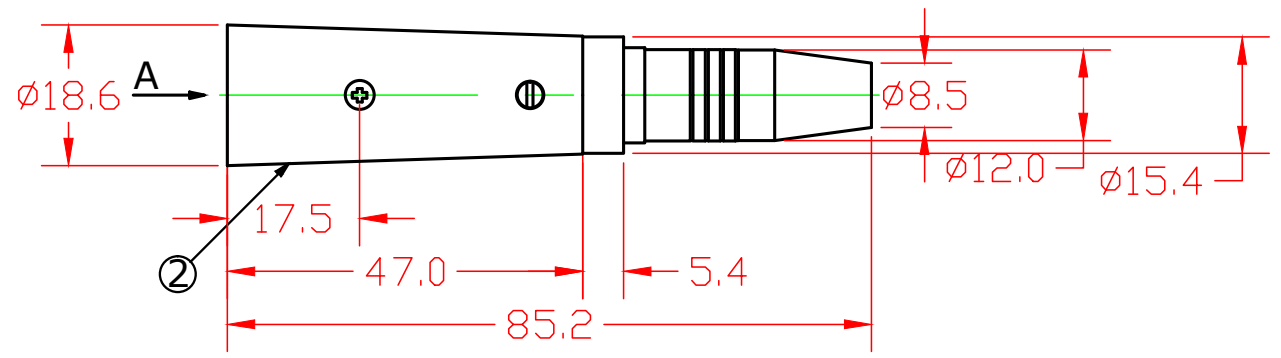
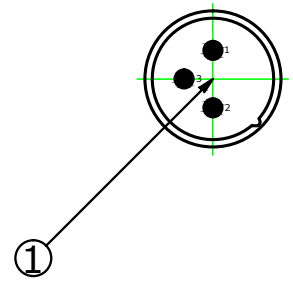


**RoHS
Compliant**

REVISION INFORMATION			
Rev.	Rev. Date	Modified By	Brief Description

XLR 3P Male

A Side View



ELECTRICAL TESTING
1. CONDUCTOR RESISTANCE: ≤5Ω 300V DC



DRAWN BY	DATE: 2014/04/12	DESCRIPTION: XLR 3P Male to 1/4" Stereo Jack Adapter
CHECKED BY	SHEET 1 of 1	ITEM NO. 202403
APPROVED BY	SCALE 1:1	REV. 00 UNIT: mm

NO.	PART NAME	SPECIFICATION DESCRIPTION	Q'TY	UNIT
②	SHELL	Metal-Nickel Plated	1	PC
①	XLR 3P Male	XLR 3P Male	1	PC