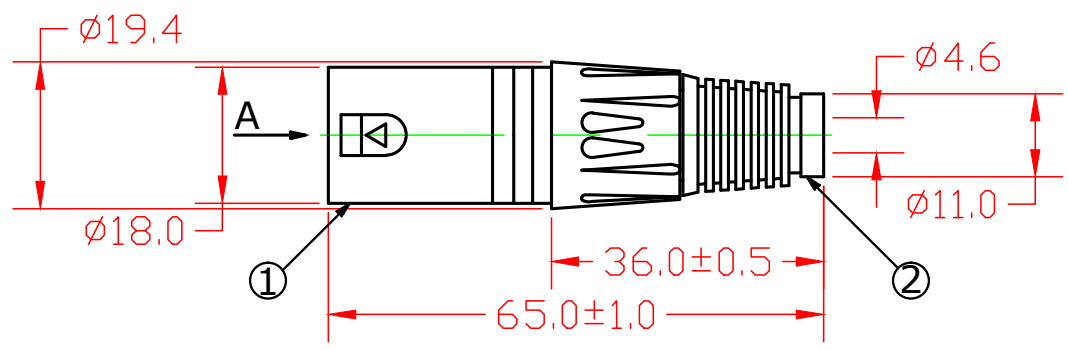
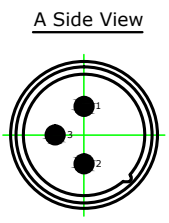


NOTE: ALL MATERIAL COMPLIANT ROHS STANDARD.

**RoHS
Compliant**

REVISION INFORMATION			
Rev.	Rev. Date	Modified By	Brief Description
V1.0	FEB.20.14		INITIAL RELEASE

Part No.: 202402
XLR 3P Microphone Connector Male



ELECTRICAL TESTING
1. CONDUCTOR RESISTANCE: ≤5Ω 300V DC



DRAWN BY	DATE: 2014/02/20	DESCRIPTION: XLR 3P Microphone Connector Male
CHECKED BY	SHEET 1 of 1	ITEM NO. 202402
APPROVED BY	SCALE 1:1	REV. 00 UNIT: mm

NO.	PART NAME	SPECIFICATION DESCRIPTION	Q'TY	UNIT
②	SHELL	Molded Plastic Black	1	PC
①	XLR 3P Microphone Male	Metal-Nickel Plated	1	PC