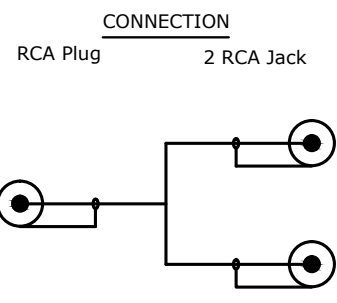
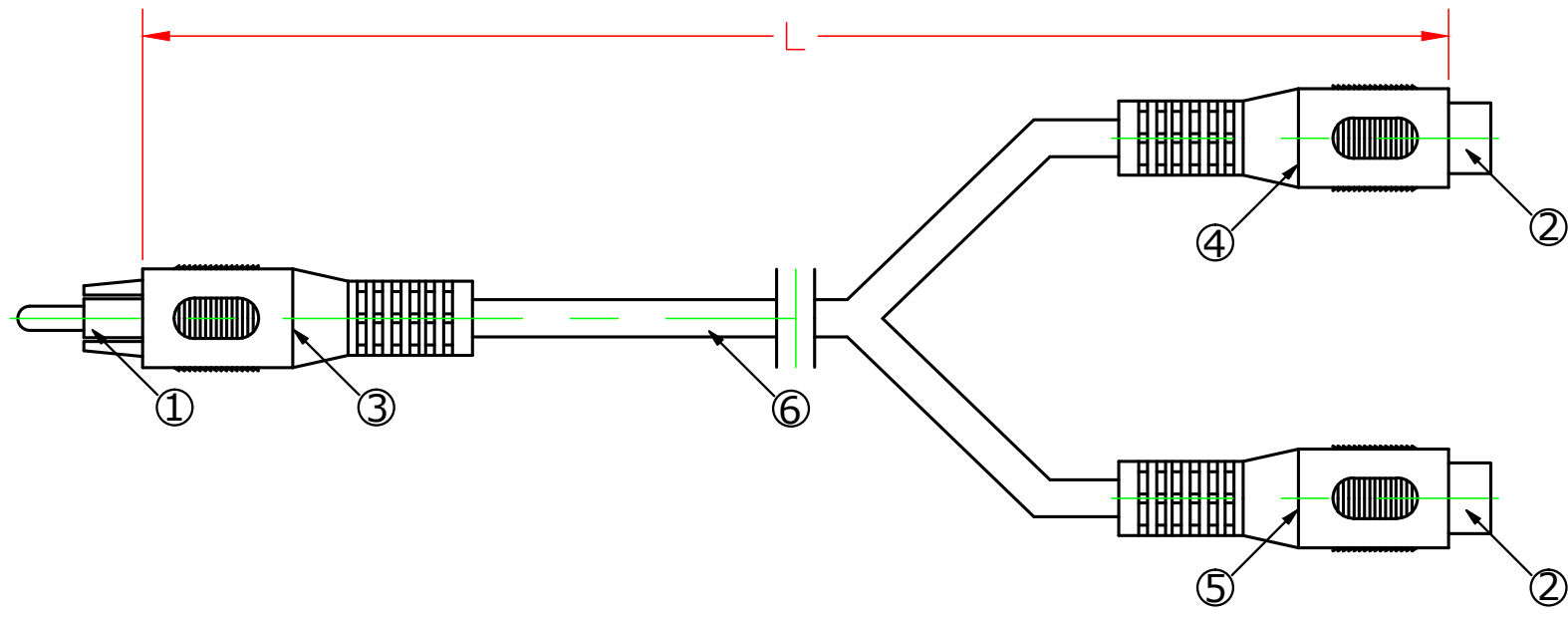


NOTE: ALL MATERIAL COMPLIANT ROHS STANDARD.


REVISION INFORMATION			
Rev.	Rev. Date	Modified By	Brief Description



LINK NO.	PART NO.	LENGTH(L)
202106		6 inch 150±20

ELECTRICAL TESTING
1. CONDUCTOR RESISTANCE: ≤5Ω 300V DC

⑥	Cable	Cable 2CX(10/0.12CCS)+28/0.10CCS OD.: 2.6X5.2 Black PVC Jacket	1	PC
⑤	PVC	PVC Red	1	PC
④	PVC	PVC White	2	PCS
③	PVC	PVC Black	2	PCS
②	RCA Female	RCA Female-Nickel Plated	2	PCS
①	RCA Male	RCA Male-Nickel Plated	1	PC
NO.	PART NAME	SPECIFICATION DESCRIPTION	Q'TY	UNIT



DRAWN BY	DATE: 2013/07/23	DESCRIPTION: RCA-Male to RCA-Female x2
CHECKED BY	SHEET 1 of 1	ITEM NO. 202106
APPROVED BY	SCALE 1:1	REV. 00 UNIT: mm