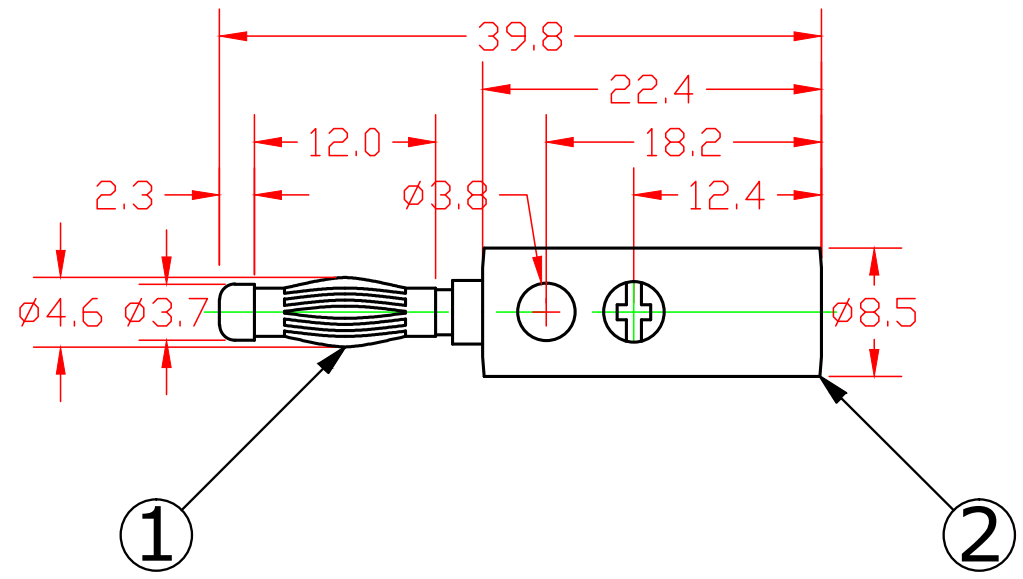


NOTE: ALL MATERIAL COMPLIANT ROHS STANDARD.

**RoHS  
Compliant**

REVISION INFORMATION			
Rev.	Rev. Date	Modified By	Brief Description



**ELECTRICAL TESTING**  
**1. CONDUCTOR RESISTANCE: :  $\leq 5\Omega$  300V DC**



DRAWN BY	DATE: 2014/04/23	DESCRIPTION: Banana Plug Gold Plated Plastic
CHECKED BY	SHEET 1 of 1	ITEM NO. <b>201201BK</b>
APPROVED BY	SCALE 1:1	REV. 00 UNIT: mm

NO.	PART NAME	SPECIFICATION DESCRIPTION	Q'TY	UNIT
②	Shell	Plastic-Black for 201201BK, Red for 201201RD	1	PC
①	Banana Plug	Banana Plug-Gold Plated	1	PC