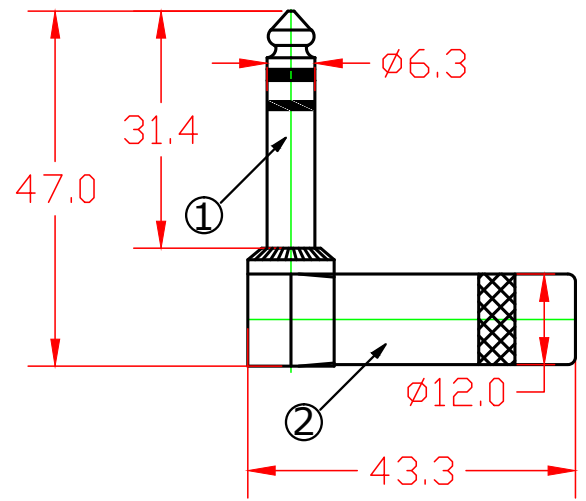


NOTE: ALL MATERIAL COMPLIANT ROHS STANDARD.

**RoHS
Compliant**

REVISION INFORMATION			
Rev.	Rev. Date	Modified By	Brief Description



ELECTRICAL TESTING
1. CONDUCTOR RESISTANCE: : ≤5Ω 300V DC



DRAWN BY	DATE: 2015/03/16	DESCRIPTION: 1/4 inch Stereo Right Angle Plug
CHECKED BY	SHEET 1 of 1	ITEM NO. 201011
APPROVED BY	SCALE 1:1	REV. 00 UNIT: mm

NO.	PART NAME	SPECIFICATION DESCRIPTION	Q'TY	UNIT
②	Shell	Metal-Nickel Plated	1	PC
①	1/4" Stereo Male	1/4" Stereo Male-Nickel Plated	1	PC