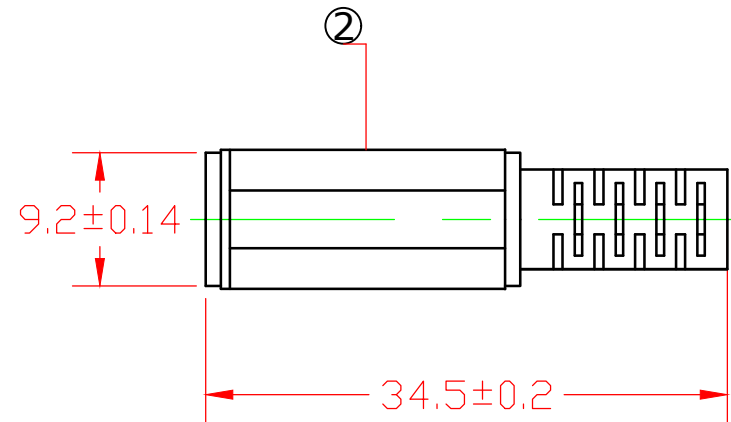
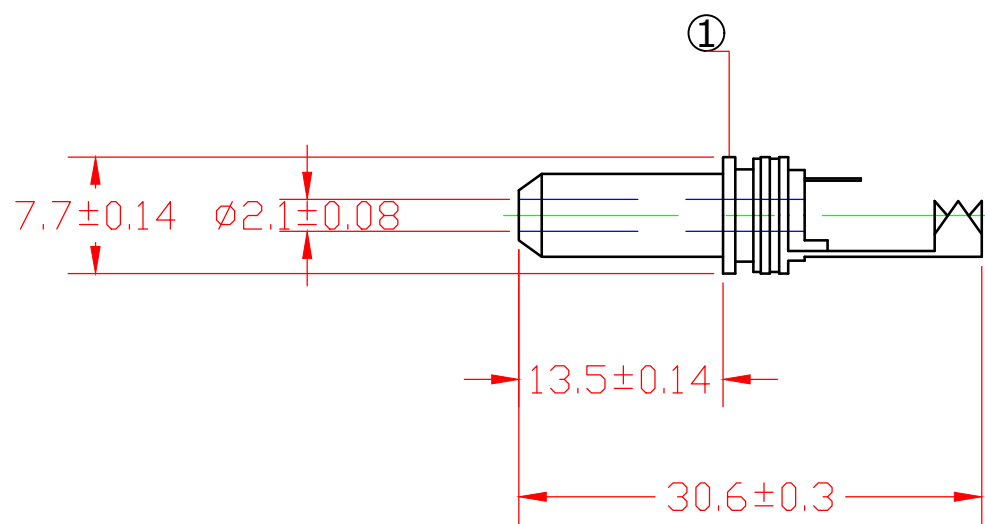
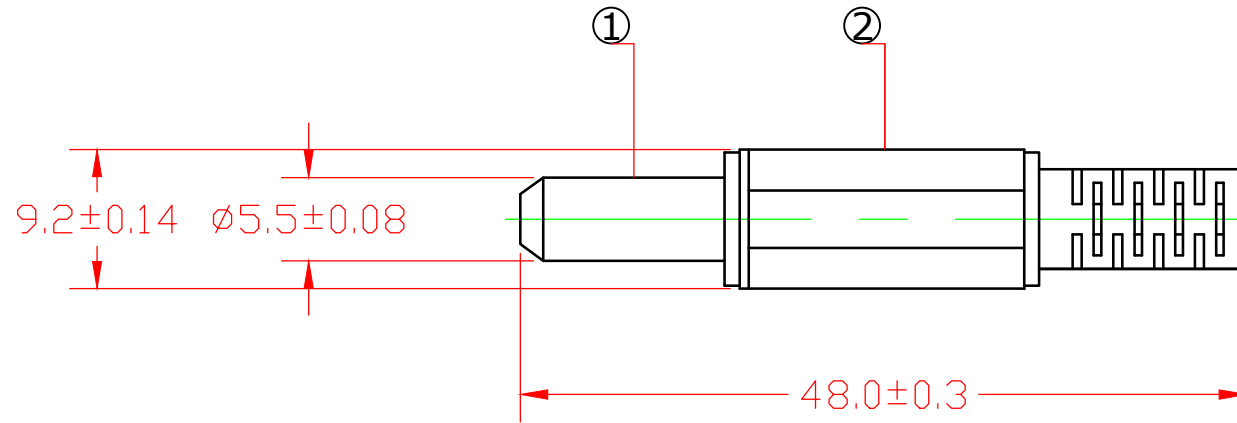


Rev.	Rev. Date	Modified By	Brief Description
1.0	MAY. 28, 23	Alvin Shi	Initial Release



VENDOR CODE : <b>PS00831</b>		DESCRIPTION : BestLink 2.1mm/5.5mm Round Plug Solder Type			
APPROVED BY PM & DATE :		PID # : <b>200801</b>			
PM PRINT NAME :		DATE : 5/28/23	UNIT : MM	SHEET : 1 OF 4	FILE NAME : PID_200801

Unless specified on the drawing, tolerances are per the follows:  
 . +1  
 .x +0.2  
 .xx +0.05

NO.	PART NAME	SPECIFICATION DESCRIPTION	Q'TY	UNIT
②	Housing	PVC, Black	1	PC
①	DC Plug	2.1mm/5.5mm Round DC Power Plug Solder Type, Nickel Plated	1	PC