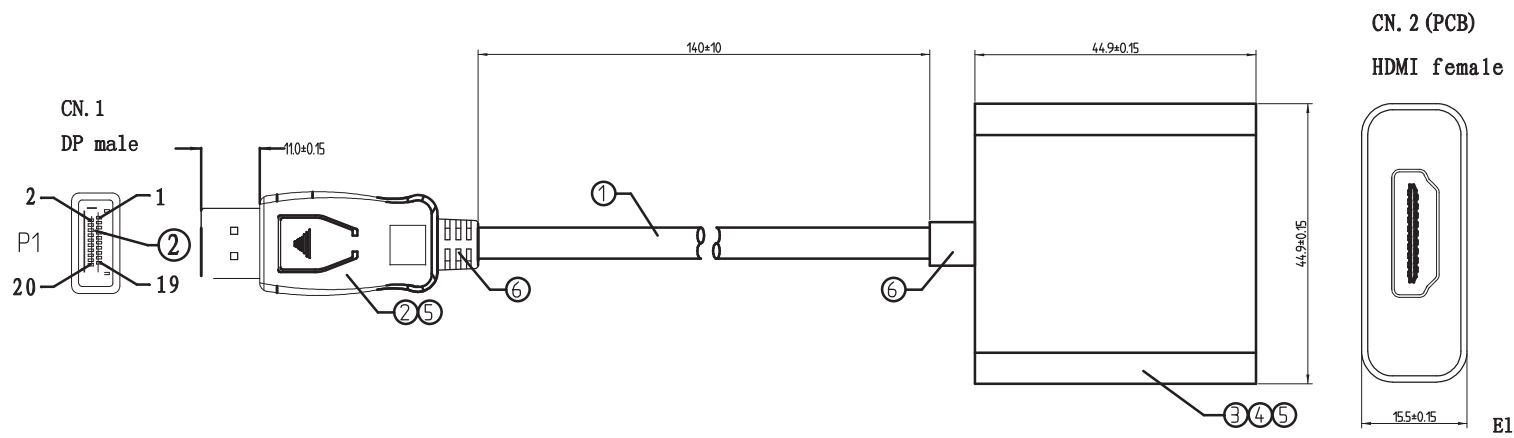


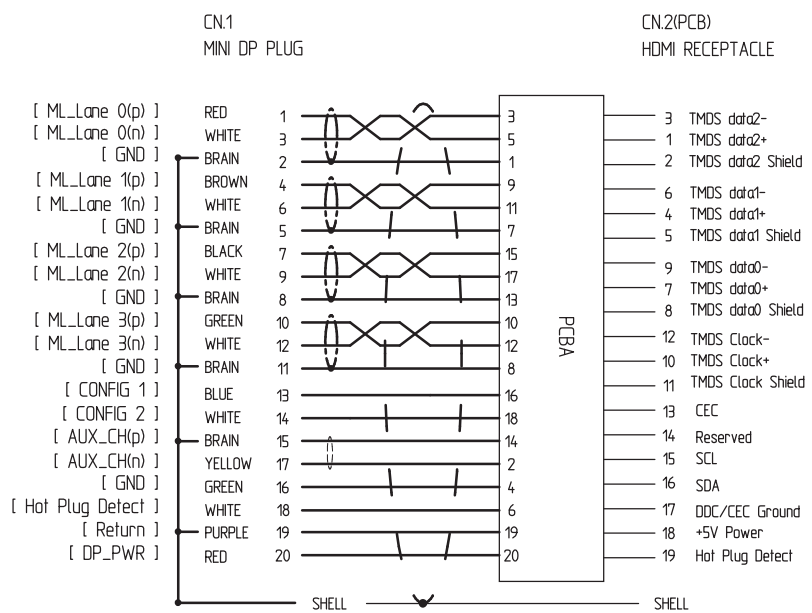
NOTE: ALL MATERIAL COMPLIANT ROHS STANDARD

REVISION INFORMATION			
Rev.	Rev. Date	Modified By	Brief Description



- Electrical performance test: DP TO HDMI real machine testing
1. Signal Source PC 1280\*720P, 1920\*1080P
  2. Refresh Rate: 60HZ
  3. Video Imaging signal jitter - free, no trailing, no ghosting, no missing colors etc.
  4. Audio format: L-PCM @ 32KHz, 44.1KHz, Dolby, 8channel 1bit Audio
  5. Audio is clear, no noise
  6. both ends of the test cable total length 500MM/MAX

PIN ASSIGNMENT:



6	outside shell material	450 PVC white	
5	inside shell material	low-density PE	
4	plastic shell	HDMI female white plastic shell body and front cover	
3	connector	HDMI female, gold-plated terminal, blue plastic Insulator, nickle-plated steel casing	
2	connector	DP male, gold-plated terminal, white plastic Insulator, nickle-plated steel casing	
1	cable	UL20276 (32#*1P+D+AL/MY)*5+32#*4C+28#*1C+AL+B cover:white PVC OD:5.0mm L=140mm	
NO.	PART NAME	SPEC DESCRIPTION	REMAKE



DRAWN BY	DATE: 2014-02-17	DESCRIPTION: DP/M CABLE TO HDMI/F
CHECKED BY	SHEET 1 of 1	ITEM NO. 184033
APPROVED BY	SCALE 1:1	REV. 01
		UNIT: mm