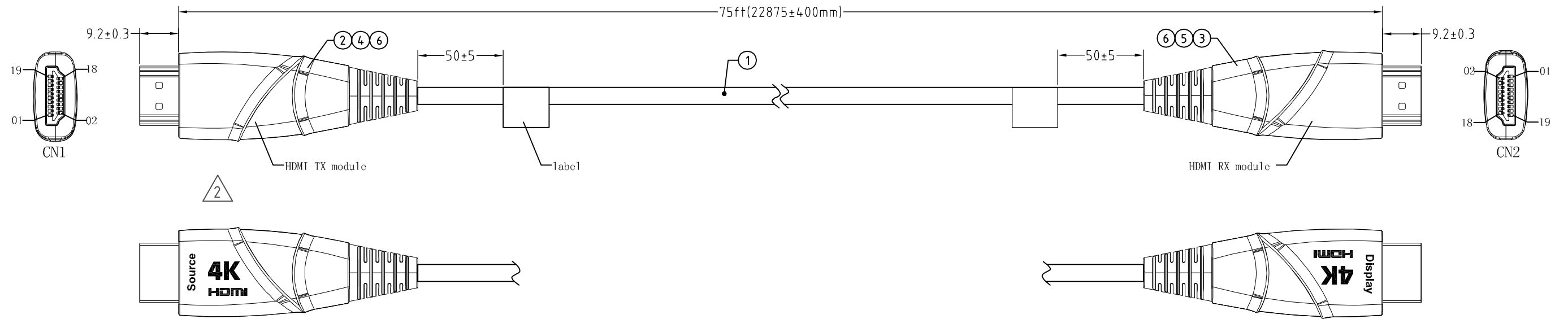


NOTE:ALL MATERIAL COMPLIANT ROHS STANDARD

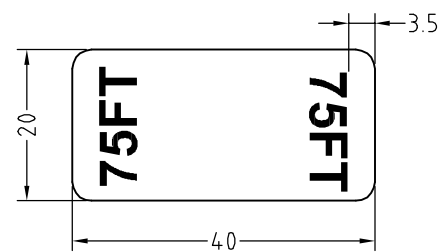
REVISION INFORMATION

Rev.	Rev. Date	Modified By	Brief Description
1.0	2020/10/12	Darrick	Change Label
2.0	2022/03/30	Hypo	Change Label.Module

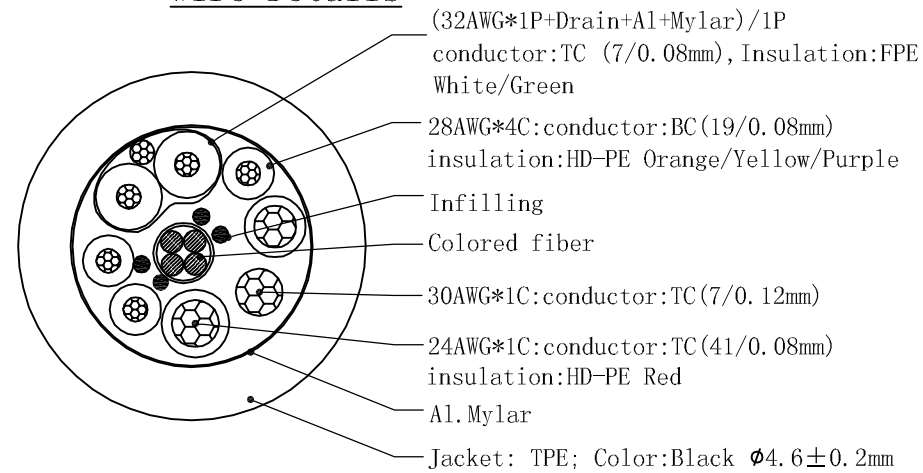


"4K"  
Radium carving: Hind Bold

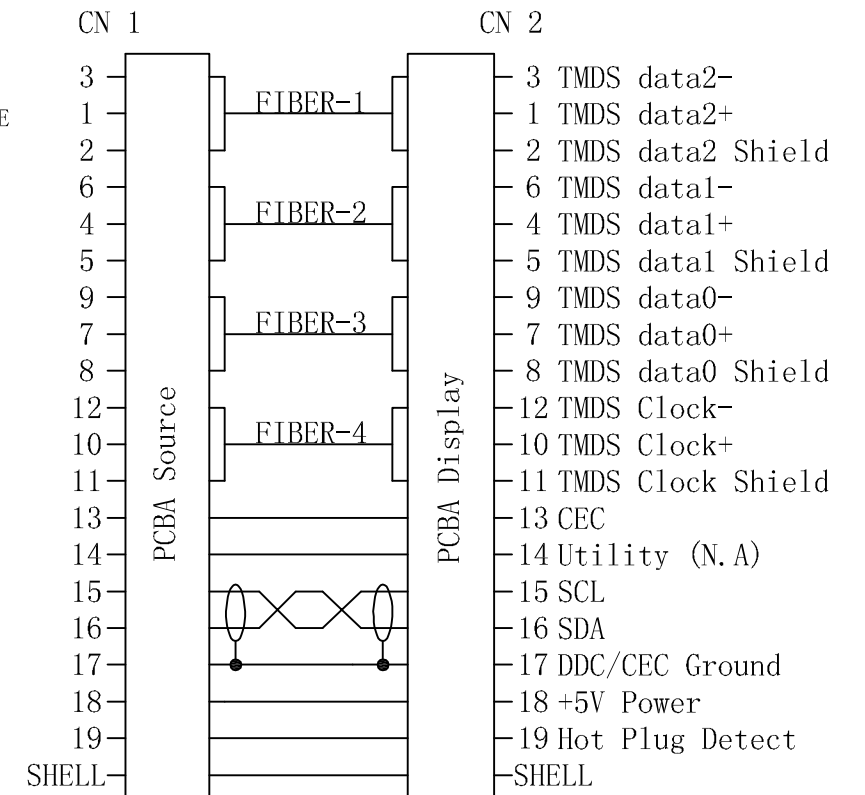
Size: 40x20mm  
Typeface: Arial



Wire Details



PIN ASSIGNMENT



NOTE:

- ELECTRICAL TEST:(100% real machine transmission test)
  - SOUCE "meets HDMI TX module, stands for firing."
  - Display "meets HDMI RX module, stands for receive."
  - 100% by 2160P (3840\*2160 60HZ) 4:4:1(YCBCR)
  - Support HDCP2.2;ARC, HEAC; 3D
  - Maximum transmission bandwidth 18Gbps
2. RoHS+REACH Compliant;



NO.	PART NAME	SPECIFICATION DESCRIPTION	QTY	UNIT
⑥	Overmold	PVC,black		
⑤	Zinc alloy shell	HDMI AM upper and lower zinc alloy shell, radium carving, "HDMI"、"4K"、"Display"		
④	Zinc alloy shell	HDMI AM upper and lower zinc alloy shell, radium carving, "HDMI"、"4K"、"Source"		
③	HDMI RX module	HDMI AM RX receiver module, HDMI gold-plated copper plated connector terminal with pad PCB		
②	HDMI TX module	HDMI AM TX transmitter module, HDMI gold-plated copper plated connector terminal with pad PCB		
①	Cable	(Fiber x 4C)x1C+(30#TAx1P+D+A)x1C+30#TAx4C+26#TAx1C+F+A Jacket:TPE(LSZH)OD4.7mm		

Unless specified on the drawing, tolerances are per the follows:

.	+1
.x	+0.2
.xx	+0.05

DRAWN BY	DATE: 2020/03/30	DESCRIPTION: HDMI Active optical cable
CHECKED BY	SHEET 1 of 2	ITEM NO. 181442
APPROVED BY	SCALE None	REV. 2.0 UNIT:mm