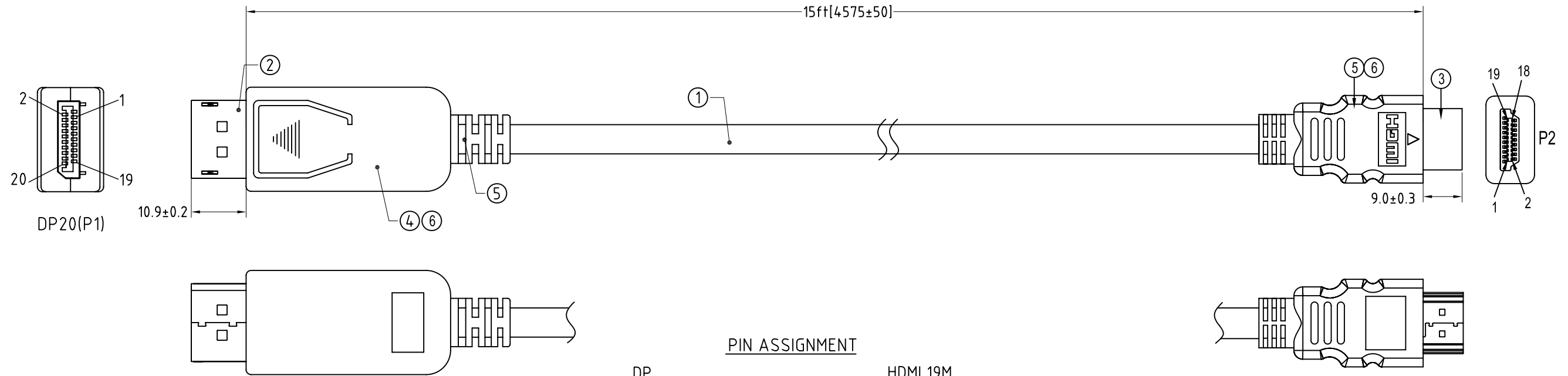


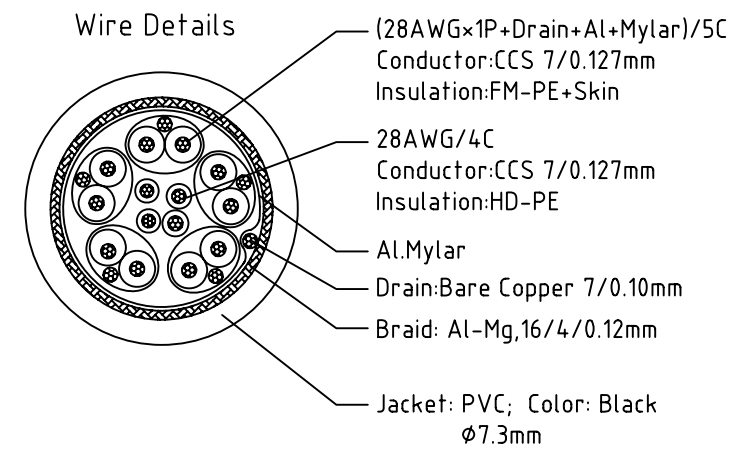
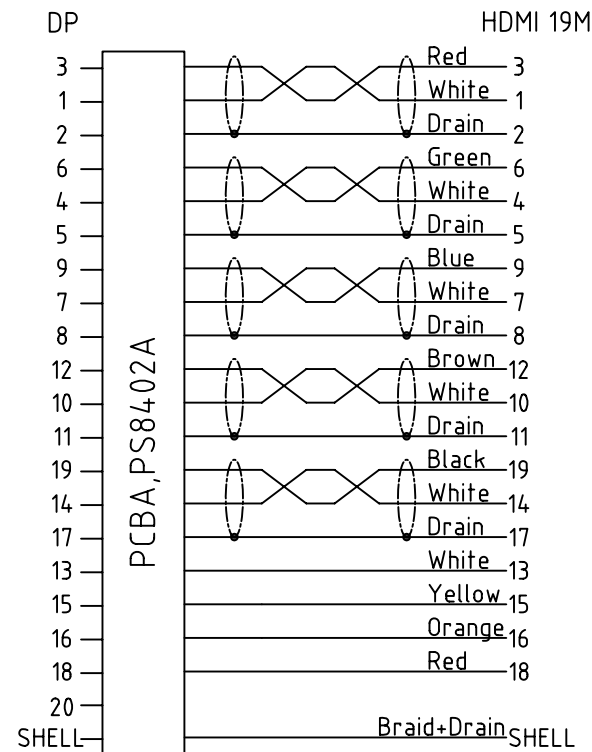
NOTE:ALL MATERIAL COMPLIANT ROHS STANDARD

REVISION INFORMATION

| Rev. | Rev. Date | Modified By | Brief Description |
|------|-----------|-------------|-------------------|
|      |           |             |                   |



PIN ASSIGNMENT



Electrical character:

- 1)100% Open/short/Intermittent testing
- 2)Withstanding voltage:AC/DC 300V AT 10ms.
- 3)Insulation resistance:10M Ohm(min)
- 4)Residual operating current:
  - a.<1.M=0.5mA; b.1.0~2.0M=1.0mA;
  - c.2.0~3.0M=2.0mA; d.3.0~5.0M=3.0mA;
  - e.5.0~10M=5.0mA; f.10~15M=7.0mA;
- 5)Conductive resistance:See the TABLE A
- 6)100% 1080P, 3D, 4Kx2K@30Hz testing

| NO. | PART NAME | SPECIFICATION DESCRIPTION  | QTY | UNIT |
|-----|-----------|--|-----|------|
| ①   | Cable     | UL20276 (28#CCS*1P+D+A+M)*5+28#CCS*4C+A+D+B(16/4/0.12,Al-Mg)+PVC,Black,OD:7.3mm      |     |      |
| ②   | Conn      | HDMI Male,Pin G/F,Black Insulation,Shell(G/F Plated),Solder type                     |     |      |
| ③   | Conn      | DisplayPort Male,Pin G/F,Black Insulation,Shell(G/F Plated),Solder type PCBA:PS8402A |     |      |
| ④   | Shell     | Display port 20 Pin Shell,ABS,Black,Twinset Type                                     |     |      |
| ⑤   | Innrmold  | PE,Low density   |     |      |
| ⑥   | Overmold  | PVC,45Pa,Black   |     |      |

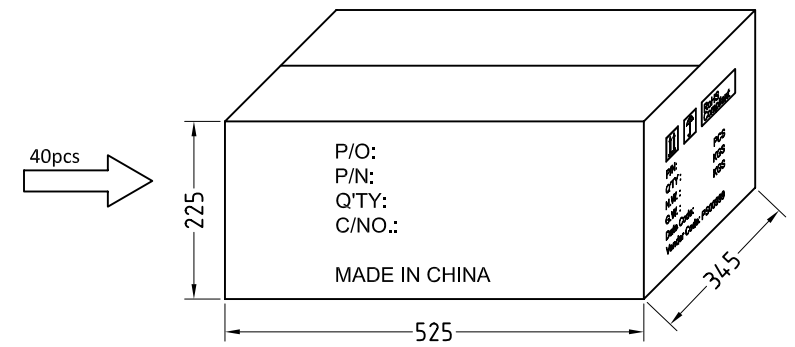
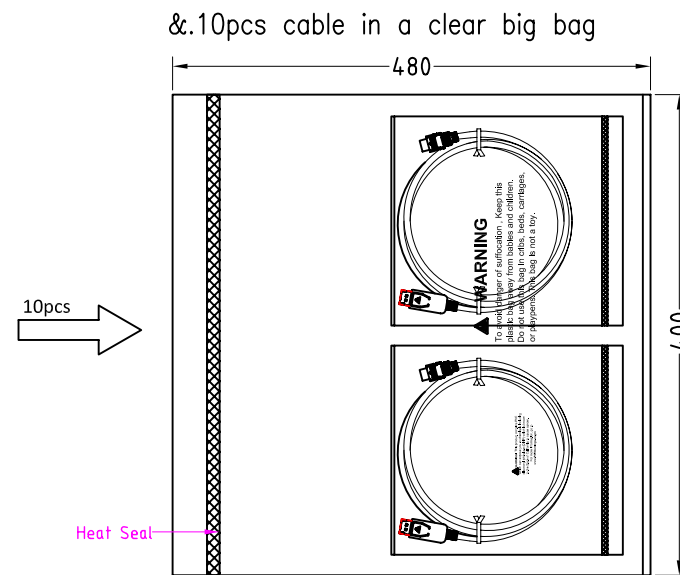
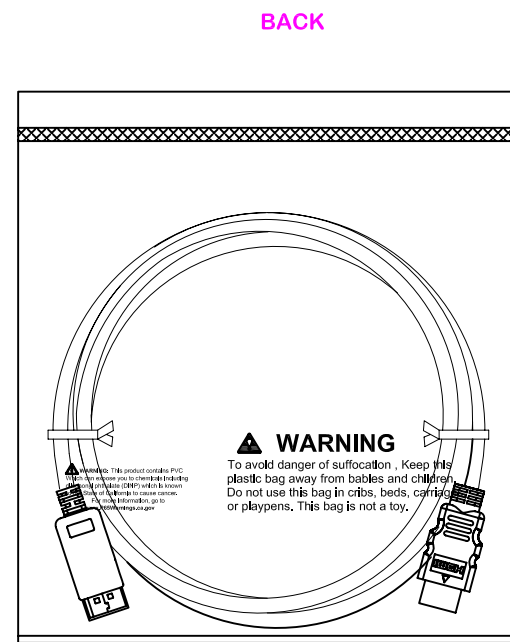
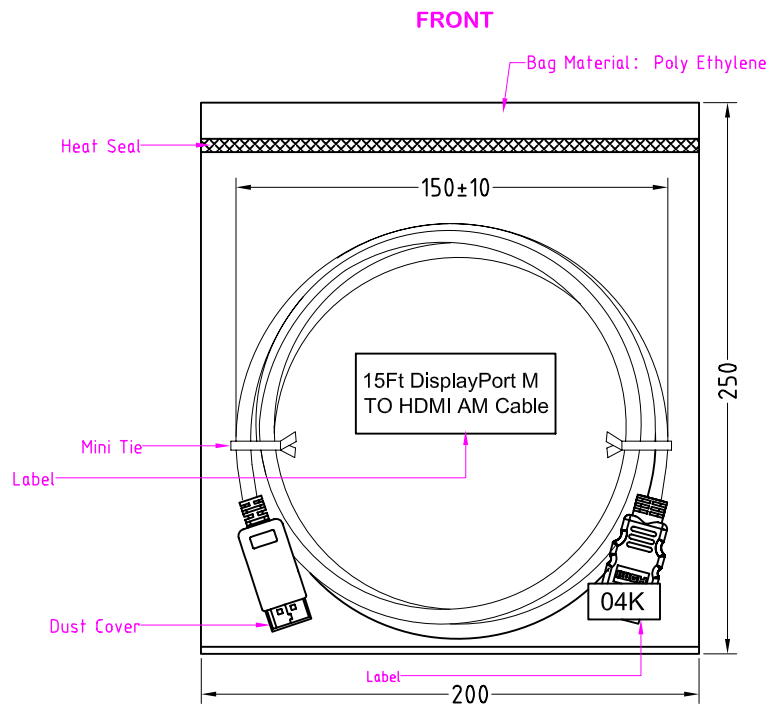
Unless specified on the drawing, tolerances are per the follows:

|     |       |
|-----|-------|
| .   | +1    |
| .x  | +0.2  |
| .xx | +0.05 |

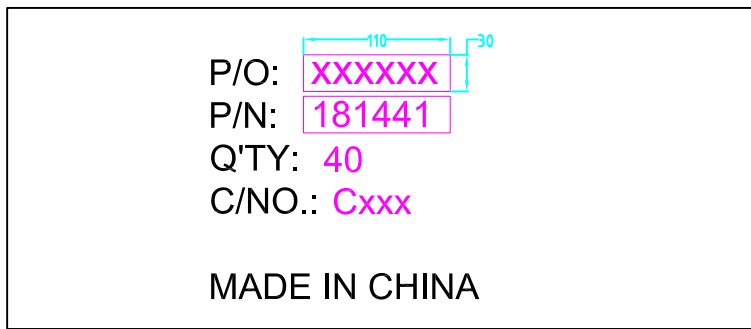
|             |                     |  |
|-------------|---------------------|--|
| DRAWN BY    | DATE:<br>2019/06/10 | DESCRIPTION:<br>DisplayPort M to HDMI AM cable,28# |
| CHECKED BY  | SHEET 1of2          | ITEM NO. 181441                                    |
| APPROVED BY | SCALE None          | REV. 0.0 UNIT:mm                                   |

NOTE: CARTON MATERIAL MUST BE A=A

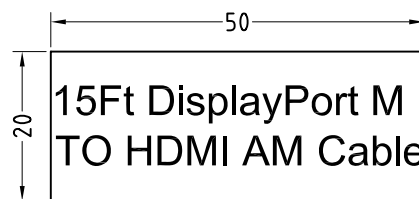
| REVISION INFORMATION |           |             |                   |
|----------------------|-----------|-------------|-------------------|
| Rev.                 | Rev. Date | Modified By | Brief Description |
|                      |           |             |                   |



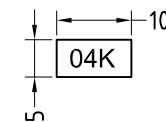
**MAIN MARK**



Label:  
Size: 50 x 20 mm



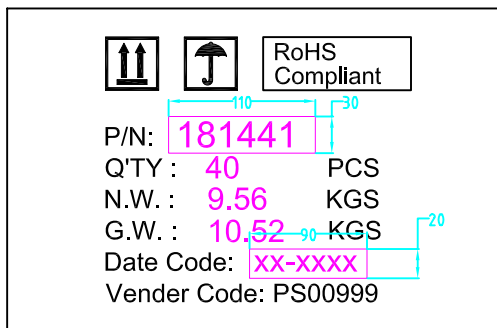
Label:  
Size: 10 x 5 mm



**Packing Instruction:**

1. First of all, protect the connector with dust covers, coil the cable (see attached). Secure the cable with cable tie, and then pack each cable with an individual PE bag, 10 pcs cable in a clear big bag, The label is attached to the PE bag.
2. Seal the PE bag with heat sealing machine.
3. Use a waterproof bag to pack the products before going into master carton. Make sure each individual cable is staggered and positioned tidily. A paperboard is needed in both the bottom and the top of the products.
4. See shipping mark on the left.

**SIDE MARK**



Carton Size: 20.67"(L)\*13.58"(W)\*8.86"(H)  
Carton Quantity: 40 pcs  
Carton Weight: 23.20LBS

|             |                     |   |
|-------------|---------------------|---|
| DRAWN BY    | DATE:<br>2019/06/10 | DESCRIPTION:<br>DisplayPort M to HDMI AM cable, 28# |
| CHECKED BY  | SHEET 2of2          | ITEM NO. 181441                                     |
| APPROVED BY | SCALE None          | REV. 0.0  |

UNIT:mm