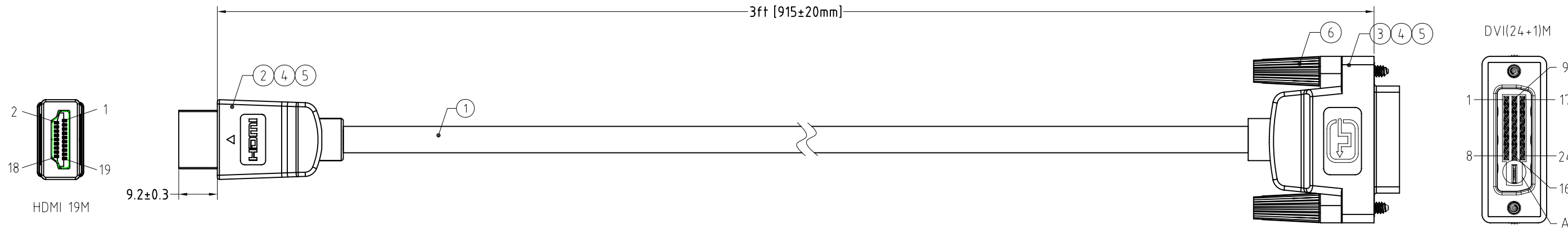


NOTE:ALL MATERIAL COMPLIANT ROHS STANDARD

| REVISION INFORMATION | | | |
|----------------------|-----------|-------------|-------------------|
| Rev. | Rev. Date | Modified By | Brief Description |
| | | | |



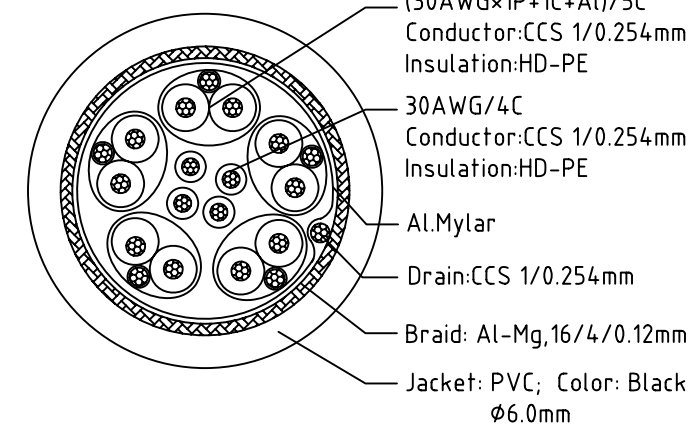
Electrical character:

- 1)100% Open/short/Intermittent testing
- 2)Withstanding voltage:DC 300V AT 10ms.
- 3)Insulation resistance:10M Ohm(min)
- 4)Residual operating current:
 - a.<1.M=0.5mA; b.1.0~2.0M=1.0mA;
 - c.2.0~3.0M=2.0mA; d.3.0~5.0M=3.0mA;
 - e.5.0~10M=5.0mA; f.10~15M=7.0mA;
- 5)Conductive resistance:5 Ohm(max)

PIN ASSIGNMENT:

| HDMI 19M | DVI(24+1)M |
|-------------|----------------------------|
| 3 红 | Red 1 TMDS data2- |
| 1 白 | White 2 TMDS data2+ |
| 2 地 | Drain 3 TMDS data2 Shield |
| 6 绿 | Green 9 TMDS data1- |
| 4 白 | White 10 TMDS data1+ |
| 5 地 | Drain 11 TMDS data1 Shield |
| 9 蓝 | Blue 17 TMDS data0- |
| 7 白 | White 18 TMDS data0+ |
| 8 地 | Drain 19 TMDS data0 Shield |
| 12 棕 | Brown 24 TMDS Clock- |
| 10 白 | White 23 TMDS Clock+ |
| 11 地 | Drain 22 TMDS Clock Shield |
| 15 黑 | Black 6 SCL |
| 16 白 | White 7 SDA |
| 13 红 | Red 8 CEC |
| 17 白 | White 15 DDC/CEC Ground |
| 18 黄 | Yellow 14 +5V Power |
| 19 橙 | Orange 16 Hot Plug Detect |
| SHELL 编织+地线 | Braid+Drain SHELL |

Wire Details



| NO. | PART NAME | SPECIFICATION DESCRIPTION | QTY | UNIT |
|-----|------------|--|-----|------|
| ① | Cable | UL20276 (30#CCS/1P+1C+AL)/5C+30#CCS/4C+AL+D+B(16/4/0.12,Al-Mg) PVC,Black,OD6.0mm | | |
| ② | HDMI_Conn | HDMI A/M,PIN G/F,Black Insulation,Steel-Shell(G/F Plated),Solder type | | |
| ③ | DVI_Conn | DVI(24+1)M,PIN G/F,Black Insulation,Steel-Shell(G/F Plated),Solder type | | |
| ④ | Innermold | PE,Low density | | |
| ⑤ | Overmold | PVC,45Pa,Black | | |
| ⑥ | Thumbscrew | Ø2.8*L33.0mm,Steel-Shell,Nickel Plated | | |

Unless specified on the drawing, tolerances are per the follows:

| | |
|-----|-------|
| . | +1 |
| .x | +0.2 |
| .xx | +0.05 |

| | | | |
|-------------|---------------------|---|---------|
| DRAWN BY | DATE: 2018/10/05 | DESCRIPTION: HDMI A/M TO DVI-D(24+1) M Cable | |
| CHECKED BY | SHEET 1of2 | ITEM NO. | 181323 |
| APPROVED BY | SCALE None | REV. 1.0 | UNIT:mm |