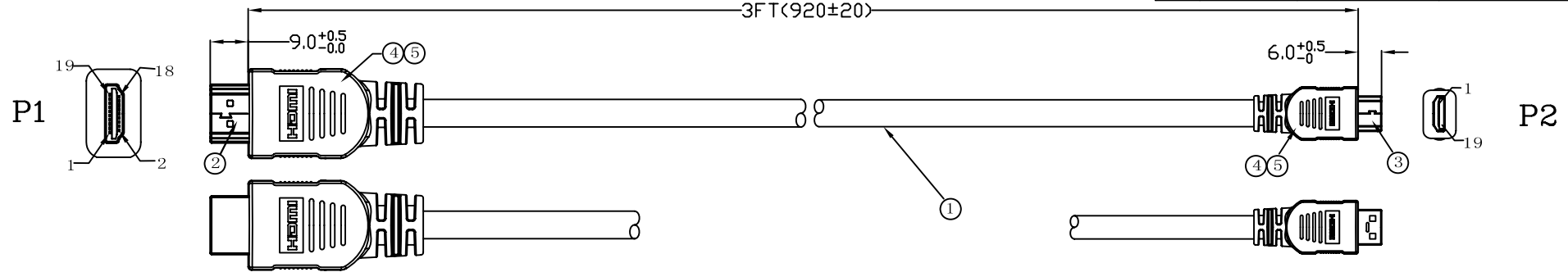


NOTE:ALL MATERIAL COMPLIANT ROHS STANDARD

REVISION INFORMATION			
Rev.	Rev. Date	Modified By	Brief Description

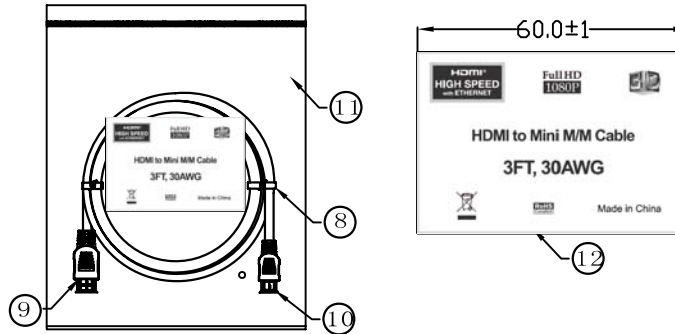


PIN OUT


P1	Wire Color	P2	SIGNAL NAME
1	Red	2	TMDS Data2+
3	White	3	TMDS Data2-
2	Drain	1	TMDS Data2 Shield
4	Brown	5	TMDS Data1+
6	White	6	TMDS Data1-
5	Drain	4	TMDS Data1 Shield
7	Blue	8	TMDS Data0+
9	White	9	TMDS Data0-
8	Drain	7	TMDS Data0 Shield
10	Green	11	TMDS Clock+
12	White	12	TMDS Clock-
11	Drain	10	TMDS Clock- Shield
13	Red	14	CEC
14	Black	17	UTILITY
19	White	19	Hot Plug Detect
17	Drain	13	DDC/CED Ground
15	Yellow	15	SCL
16	Purple	16	SDA
18	White	18	+5V Power
Shell	Drain	Shell	

NOTE:

- CABLE: (30#*(1/0.254mm BC)*1P+DAM) *5+30#4C +ADB BLACK PVC JACKET, OD: 6.0MM , V1.4, MARK: "High Speed HDMI" Cable With Ethernet Exxxxxx 兄 AWM STYLE 20276 80°C 30V VW-1
- CONNECTORS:
HDMI A/M, CONTACT:3U", SHELL:G/F 1U", INSULATION:BLACK.
HDMI C/M, CONTACT:3U", SHELL:G/F 1U", INSULATION:BLACK.
- ELECTUONICAL TEST:
(1).100% OPEN SHORT & MISS WIRE TEST
(2).INSULATION RESISTANCE: DC 300V/0.01s 10Mohm
(3).CONDUCTOR RESISTANCE: 2 ohm
- ROHS compliant



NO.	PART NAME	SPECIFICATION DESCRIPTION	QTY	UNIT
⑩	Label	HKC706PBB/Z-U026 3FT,30AWG copperplate paper Size: 60*40mm Lable	1	PCS
⑨	PE Bag	SIZE:180*210*T0.08mm	1	PCS
⑧	CAP	HDMI C Male Dust Cover PE	1	PCS
⑦	CAP	HDMI A Male Dust Cover PE	1	PCS
⑥	TIE	L=100MM	2	PCS
⑤	PVC	BLACK PVC 45P	0.012	KG
④	PE	PE:LDPE NATURE	0.008	KG
③	HDMI C CONN	HDMI 19PIN C Male Solder Insulation Black Pin Gold Plated 3U",Shell Gold Plated 1U"	1	SET
②	HDMI A CONN	HDMI 19PIN A Male Solder Insulation Black Pin Gold Plated 3U",Shell Gold Plated 1U"	1	SET
①	CABLE	(30#*(1/0.254mm BC)*1P+DAM) *5+30#4C+ADB BLACK PVC JACKET, OD: 6.0MM , V1.4, MARK: "High Speed HDMI" Cable With Ethernet Exxxxxx 兄 AWM STYLE 20276 80°C 30V VW-1	4.58	M



BestLinkNetware

DRAWN BY <i>Jane</i>	DATE: 2014.04.18	DESCRIPTION: 3FT HDMI M to HDMI Mini-M Cable 1080P 30AWG OD:6.0MM
CHECKED BY	SHEET 1 of 1	ITEM NO. 181231
APPROVED BY	SCALE NONE	REV.00 UNIT:mm 