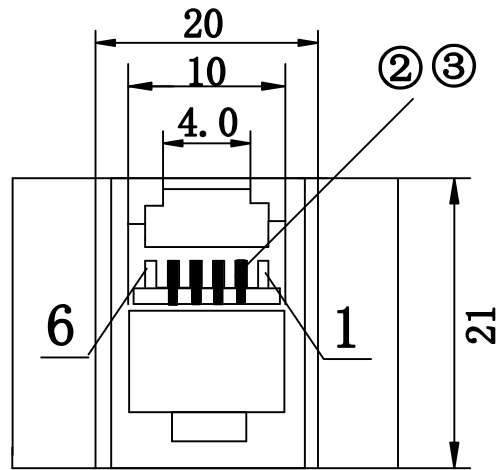
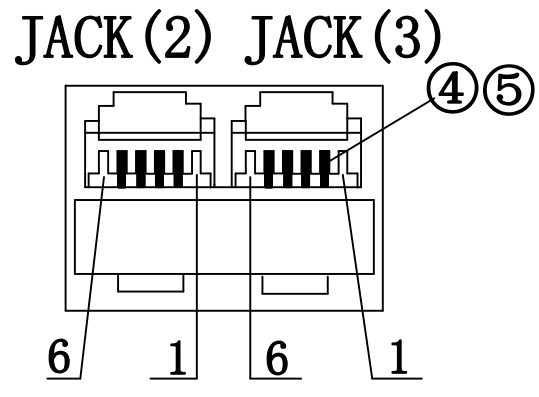
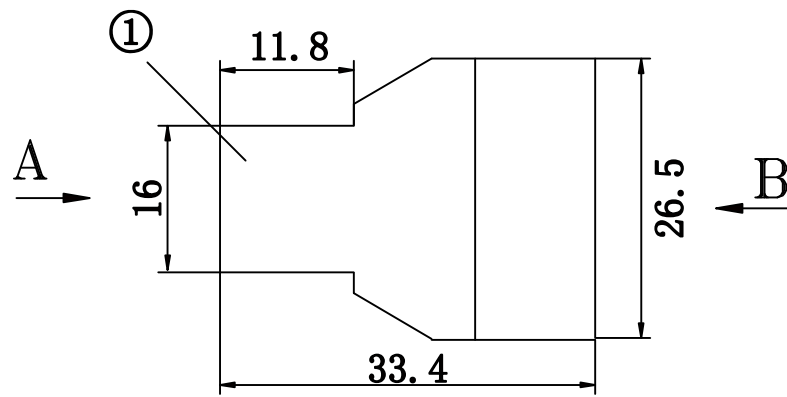


NOTE: ALL MATERIAL COMPLIANT ROHS STANDARD

| REVISION INFORMATION | | | |
|----------------------|-----------|-------------|------------------------------------|
| Rev. | Rev. Date | Modified By | Brief Description |
| A/0 | 14-5-03 | Y0503A | NEW DRAWING |
| A/1 | 21-03-17 | B21031702 | Remove China from the plastic case |



JACK (1)
VIEW: A




VIEW: B

TERMINATION:

| CORLOR | JACK (1) | JACK (2) | JACK (3) |
|--------|----------|----------|----------|
| BLACK | 2 | 2 | 2 |
| RED | 3 | 3 | 3 |
| GREEN | 4 | 4 | 4 |
| YELLOW | 5 | 5 | 5 |

| PART NO | DRAWING NO | CABLE LENGTH L | BUYER COLOR | VENDOR COLOR | CUT LENGTH |
|----------|------------|-------------------|----------------|-----------------|------------|
| 170502IV | 217-098-A | 50±5 | | IV-S020 | |
| | | | | | |
| | | | | | |

| NO. | PART NAME | SPECIFICATION DESCRIPTION | QTY | UNIT |
|-----|---------------|---|-----|------|
| ⑦ | | | | |
| ⑥ | | | | |
| ⑤ | WIRE | UL1061 PVC 26AWG L=50MM BK, RED, GREEN, YELLOW, 4X4各1PCS, BK, RED, GREEN, YELLOW, 4X5T各1PCS | 8 | PCS |
| ④ | 2121 TERMINAL | COPPER PLATING | 12 | PCS |
| ③ | GOLD WIRE | FU" L=13MM 6PCS L=15MM 6PCS | 12 | PCS |
| ② | BRACKET | ABS NOUL 6P IV-S020 | 3 | PCS |
| ① | LT-303 | 6P4C ABS NOUL IV-S020 | 1 | SET |



| | | |
|-------------|---------------------|-------------------------------------|
| DRAWN BY: | DATE: 2021-03-17 | DESCRIPTION: LT-303 6P4C IV-S020 |
| CHECKED BY | SHEET 1 of 3 | ITEM NO.170502IV |
| APPROVED BY | SCALE 1:1 | REV. A/1 UNIT: mm |