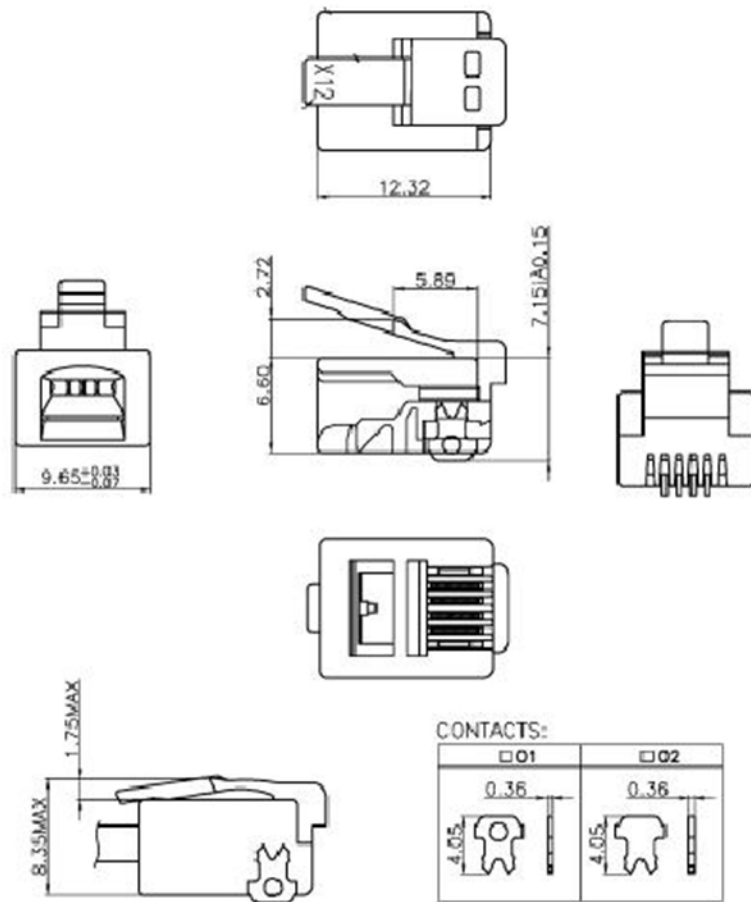


NOTE: ALL MATERIAL COMPLIANT ROHS STANDARD

REVISION INFORMATION			
Rev.	Rev. Date	Modified By	Brief Description



SPECIFICATION

1.ELECTRICAL

- 1.INSULATION RESISTANCE:1000MΩMIN
- 2.DIELECTRIC STRENGTH:1000AC(50-60Hz)1MINUTE
- 3.CONTACT RESISTANCE:30mΩ MAX

2.MECHANICAL

- 1.CABLE TO PLUG TENSILE STRENGTH:7.79Kg MIN
- 2.DURABILITY:750 CYCLES MIN

6P4CM XX XX XX XX XX B		
6P4		B-500PCS/
		L2-
		O1-
UTP,	(mm)	F5
	0.80~0.85	F6
	0.85~0.90	F7
	0.90~0.95	F8
	0.95~1.00	F9
	1.00~1.05	G0
	1.05~1.10	G1
	1.10~1.15	G2
UTP,四孔	0.80~0.85	C3
无标,两叉	0.85~0.90	C4
有档块,	0.90~0.95	C5
2345位,	0.95~1.00	C6
	1.00~1.05	C7
	1.05~1.10	C8
	1.10~1.15	GB
		FB-0.8u'
		15-15u'
		O3-3u'
		30-30u'
		O6-6u'
		50-50u'
O1-		
O2-		



③	Plug Type	RJ12		
②	Cable Type	For stranded flat wire		
①	Connector	(6p 4c)		
NO.	PART NAME	SPECIFICATION DESCRIPTION	QTY	UNIT

DRAWN BY	DATE:	DESCRIPTION:
CHECKED BY	SHEET 1 of 1	ITEM NO. 170302
APPROVED BY	SCALE 1:1	REV. 00
	UNIT: mm	