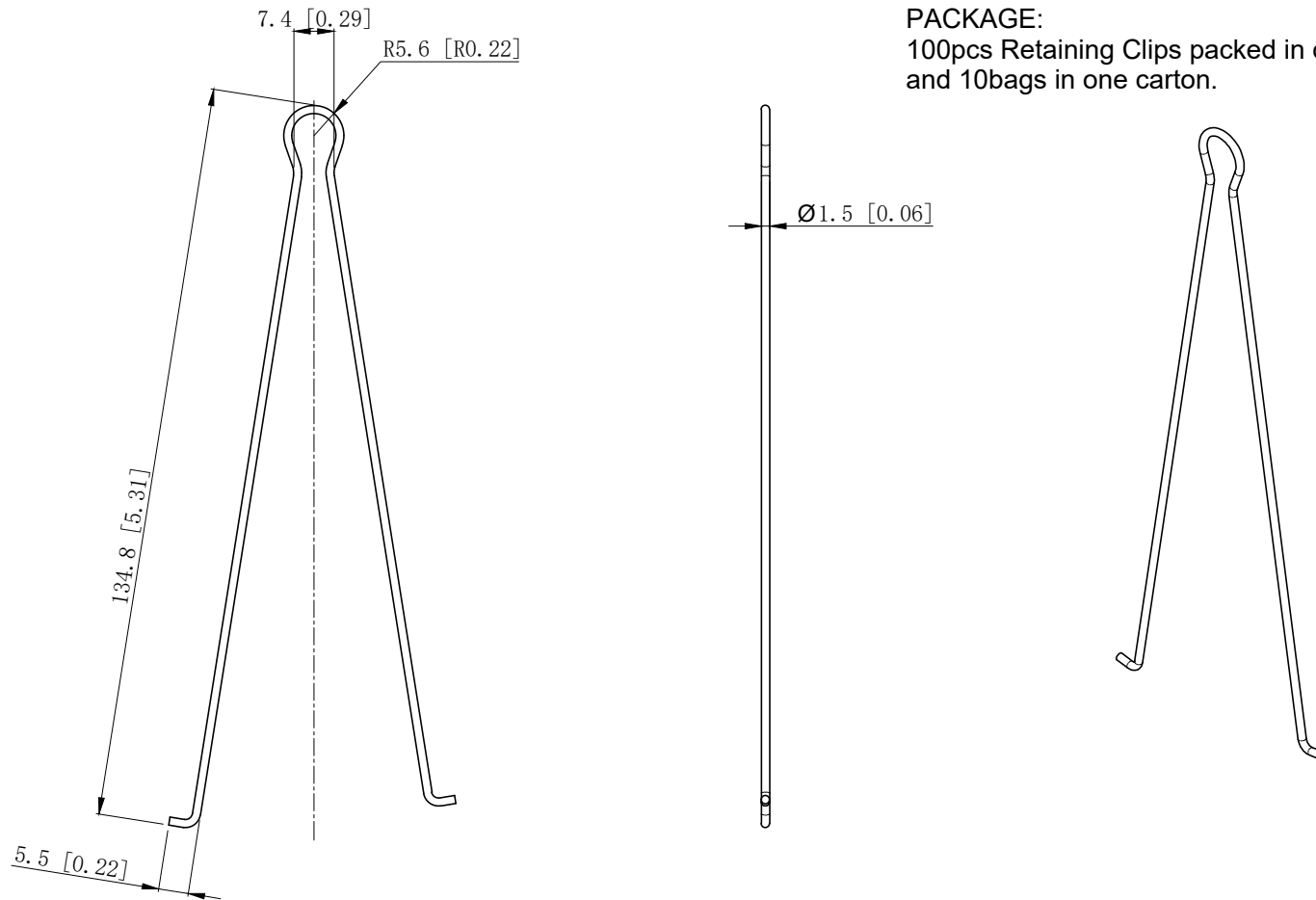


4" J Hook Retaining Clip

PACKAGE:

100pcs Retaining Clips packed in one PE self-sealing bag and 10bags in one carton.



NOTES:

- 1.All dimensions in millimeters and [inches].
- 2.Free of sharp edge and burrs.max burr 0.127[0.005].
- 3.Material: Galvanized steel wire , Thickness: Ø1.50mm [0.059] .

TOLERANCES UNLESS OTHERWISE SPECIFIED		NAME	DATE		
INCHES	MILLIMETER	DRAMN	YUAN		
ANGULAR:	ANGULAR:	CHECKED			TITLE
X, X: ±0.1	X: ±2.54	APPROVED (A)			
X, X X: ±0.05	X, X: ±1.27	APPROVED (Customer)			
X, X X X: ±0.008	X, X X: ±0.203				
MATERIAL	Galvanized steel wire	CADDY	ORBIT	RACO	SIZE
FINISH	NO OIL	-	-	-	A4
					DWG NO.
					104243
					SCALE: 1:1
					PRINT DATE
					REFERENCES
					SHEET 1 OF 1

