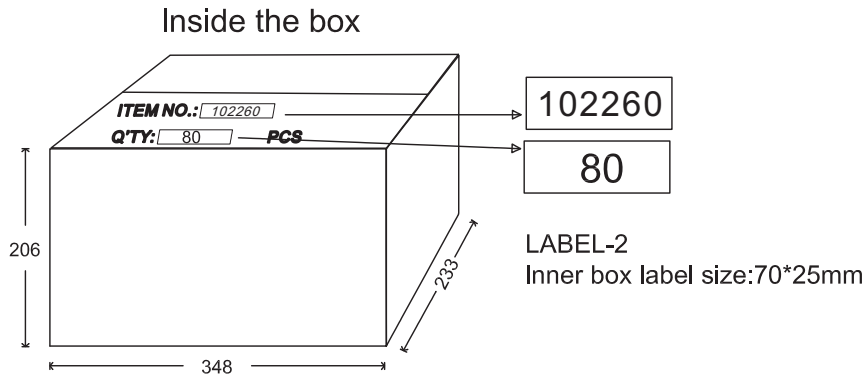
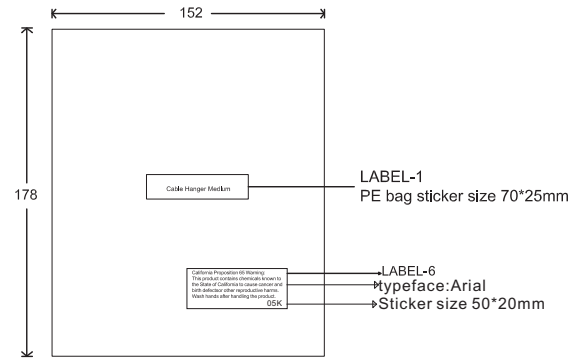


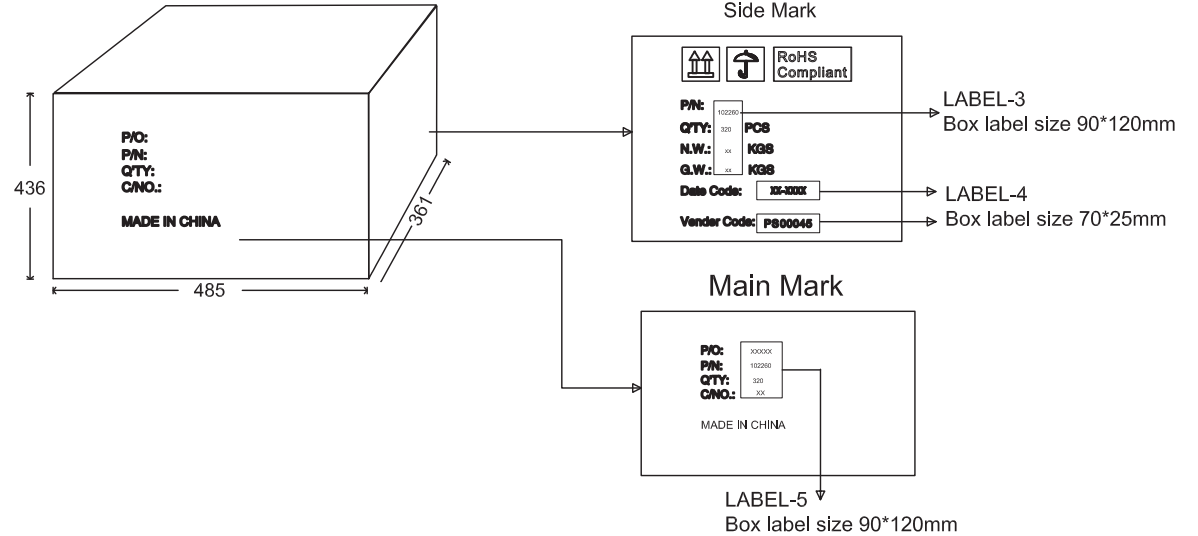
NOTE: CARTON MATERIAL MUST BE A=A

REVISION INFORMATION

Rev.	Rev. Date	Modified By	Brief Description
1	2017-02-28	ZXY	Change content of the label on the the box



Outside the box



NO.	PART NAME	SPECIFICATION DESCRIPTION	QTY	UNIT
③				
②				
①				

Unless specified on the drawing, tolerances are per the follows:
 .x +1
 .x +0.2
 .xx +0.05

DRAWN BY	DATE: 2017.8.4	DESCRIPTION: Cable Hanger Medium
CHECKED BY	SHEET 1 of 2	ITEM NO. 102260
APPROVED BY	SCALE 1:1	REV. 00 UNIT: mm