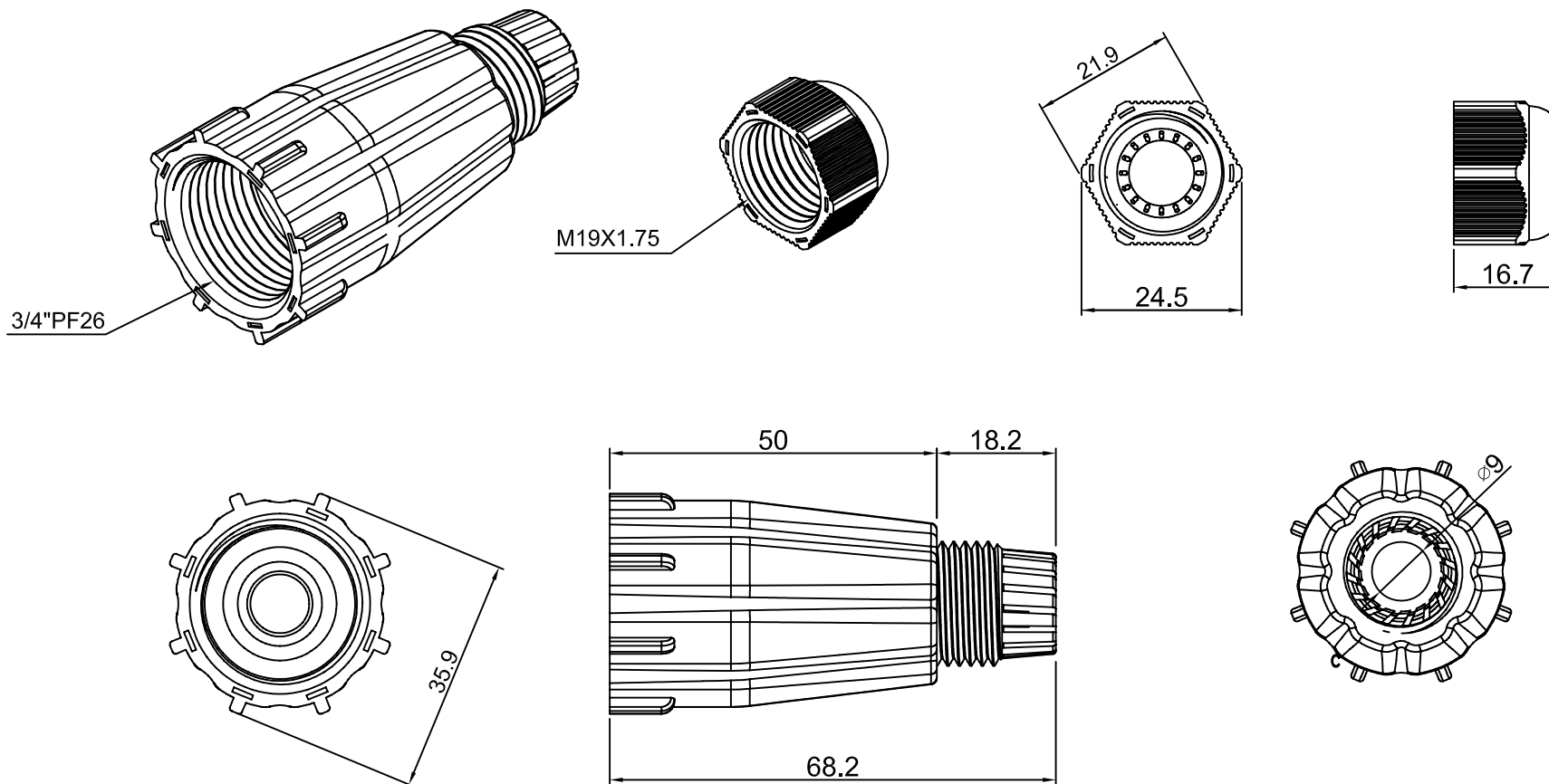


NOTE: ALL MATERIAL COMPLIANT ROHS STANDARD

REVISION INFORMATION			
Rev.	Rev. Date	Modified By	Brief Description



COMMUNICATION
CIRCUIT ACCESSORIES

56Y4

E145249



MATERIAL

MAIN BODY:NYLON PA-66 HIGH-IMPACT UL94V-0 THERMOPLASTIC.30% GLASS FIBER FILLED.
SEALIN NUT:NYLON PA-66 HIGH-IMPACT UL94V-0 THERMOPLASTIC.30% GLASS FIBER FILLED.
BACK GASKET:RUBBER.

PHYSICAL CHARACTERISTICS

OPERATING TEMPERATURE RANGE:-10℃ TO 60℃。
STORAGE TEMPERATURE RANGE:-40℃ TO 68℃。
HUMIDITY:10%~90%RH

DRAWN BY	WLL	DATE:	2015/08/11
CHECKED BY		SHEET 1 of 1	DESCRIPTION: Patch Cable Waterproof Cap
APPROVED BY		SCALE 1:2	ITEM NO. 101842
		REV. 01	UNIT: mm

NO.	PART NAME	SPECIFICATION DESCRIPTION	QTY	PCS UNIT