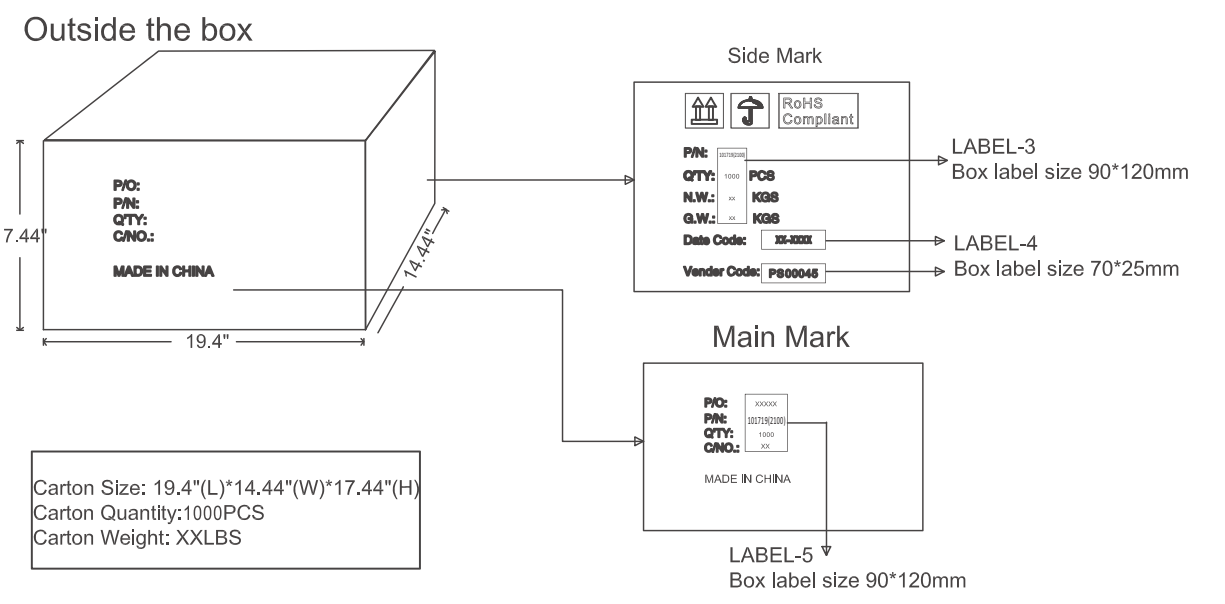
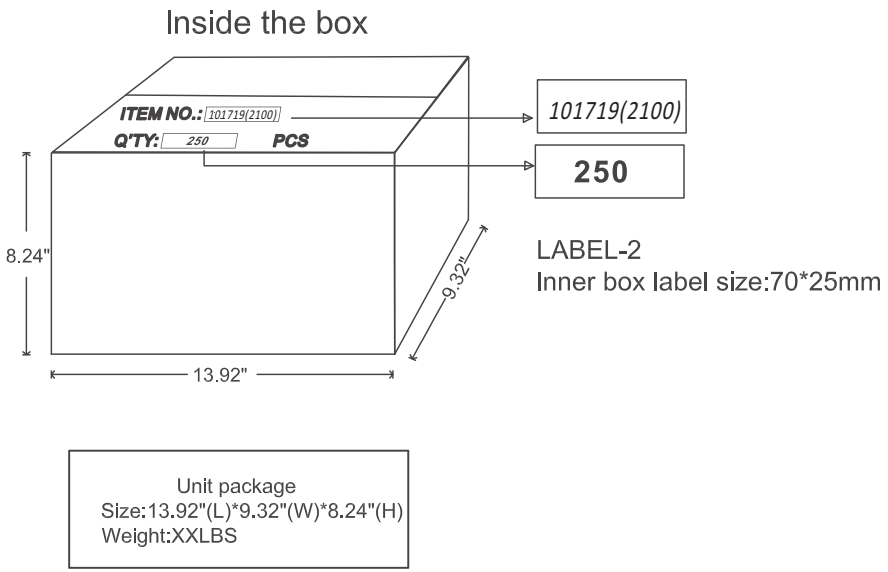
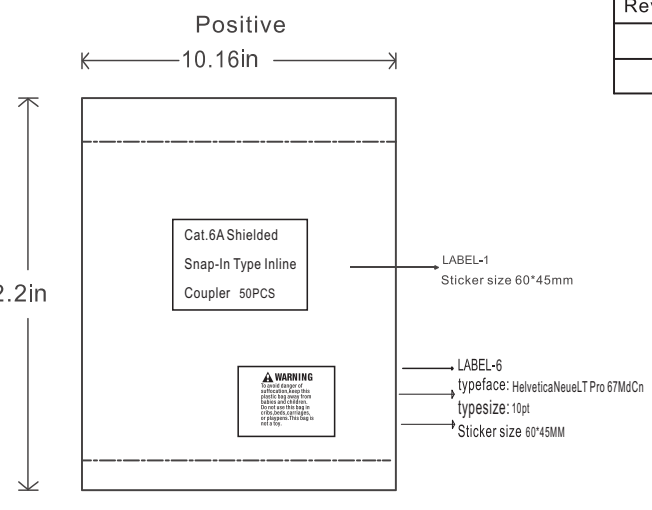
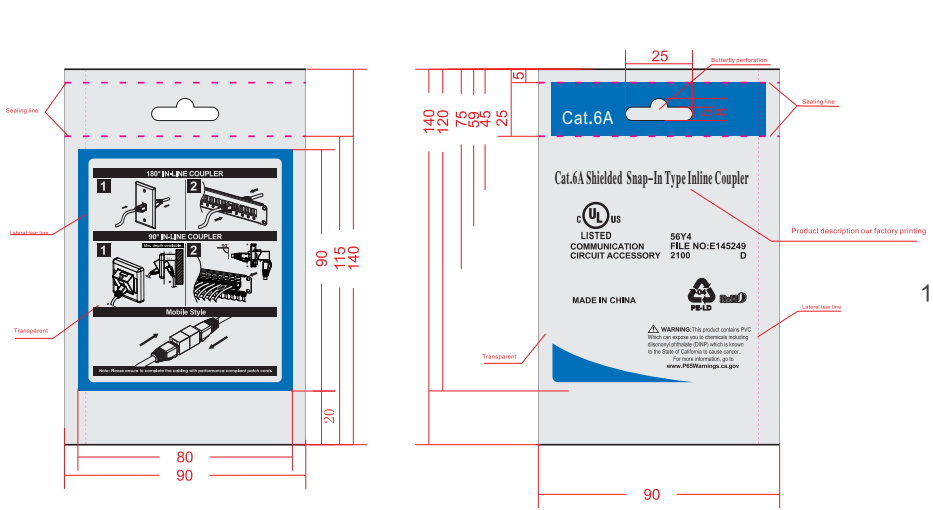


NOTE: ALL MATERIAL COMPLIANT ROHS STANDARD

REVISION INFORMATION			
Rev.	Rev. Date	Modified By	Brief Description



NO.	PART NAME	SPECIFICATION DESCRIPTION	QT'Y	UNIT
③				
②				
①				

Unless specified on the drawing, tolerances are per the follows:

.x +1
 .x +0.2
 .xx +0.05

DRAWN BY	DATE: 2021-6-3	DESCRIPTION: Cat.6A Shielded Snap-In Type Inline Coupler	
CHECKED BY	SHEET 1 of 2	ITEM NO. 101719	
APPROVED BY	SCALE 1 : 1	REV. 00	UNIT:mm