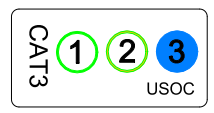
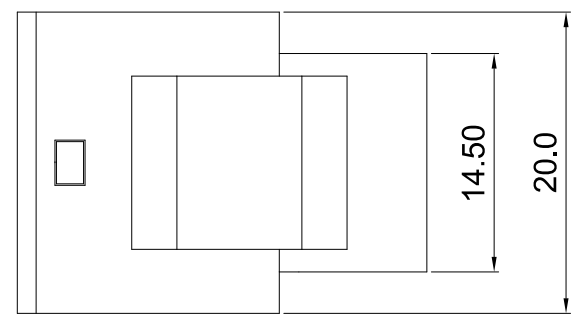
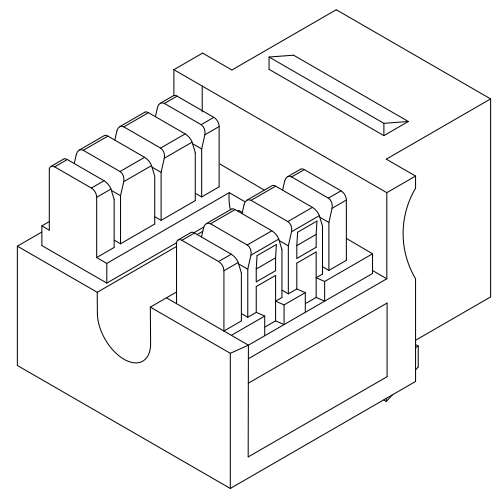
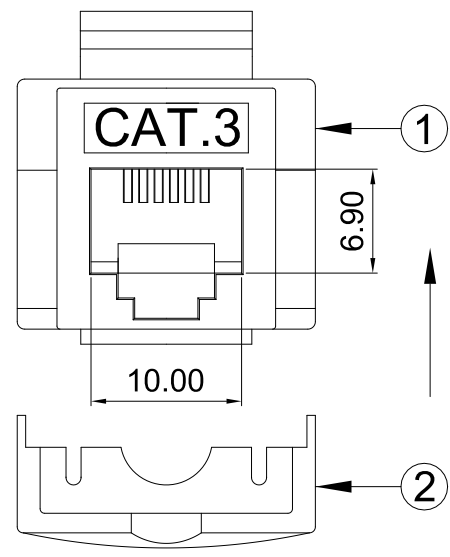
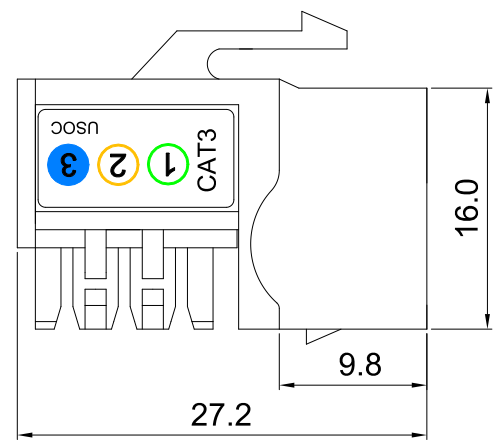


NOTE: ALL MATERIAL COMPLIANT ROHS STANDARD

| REVISION INFORMATION | | | |
|----------------------|------------|-------------|-------------------|
| Rev. | Rev. Date | Modified By | Brief Description |
| A/0 | 2022.04.13 | MNX | NEW |
| | | | |



SPECIFICATION

- 1.Jack Housing:Plastic.
- 2.Jack Terminal:Phosphor Bronze, 3u" gold plated over Nickel plated in contact area .
- 3.IDC Housing:Plastic .
- 4.IDC Terminal:Phosphor Bronze, nickel plated 50-60 micro-inch.
- 5.P.C.Board: FR-4,T=1.6mm.
- 6.Operation Temperature : -10°C to 60°C.
- 7.Durability : 750 Cycles contact resistance test check with speed 10 mm/s.

ELECTRICAL

- 1.Current rating:1.5 Amps
- 2.Insulation resistance:500 MΩ
- 3.Contact resistance:20 mΩ
- 4.DC resistance:0.1 Ω
- 5.Dielectric withstanding voltage:500 V

| NO. | PART NAME | SPECIFICATION DESCRIPTION | QTY | UNIT |
|-----|---------------|---|-----|------|
| ② | Dust Shutter | Dust Shutter | 1 | PC |
| ① | Keystone Jack | Cat.3 90D Unshielded Keystone Jack,Dual type 6P6C | 1 | PC |

| | | | |
|--------------|------------------|--|---------|
| DRAWN BY MNX | DATE: 2022/04/13 | DESCRIPTION: Cat.3 90D Unshielded Keystone Jack,Dual type 6P6C | |
| CHECKED BY | SHEET 1 of 1 | ITEM NO. 101501XX | |
| APPROVED BY | SCALE 1:1 | REV. 01 | UNIT:mm |