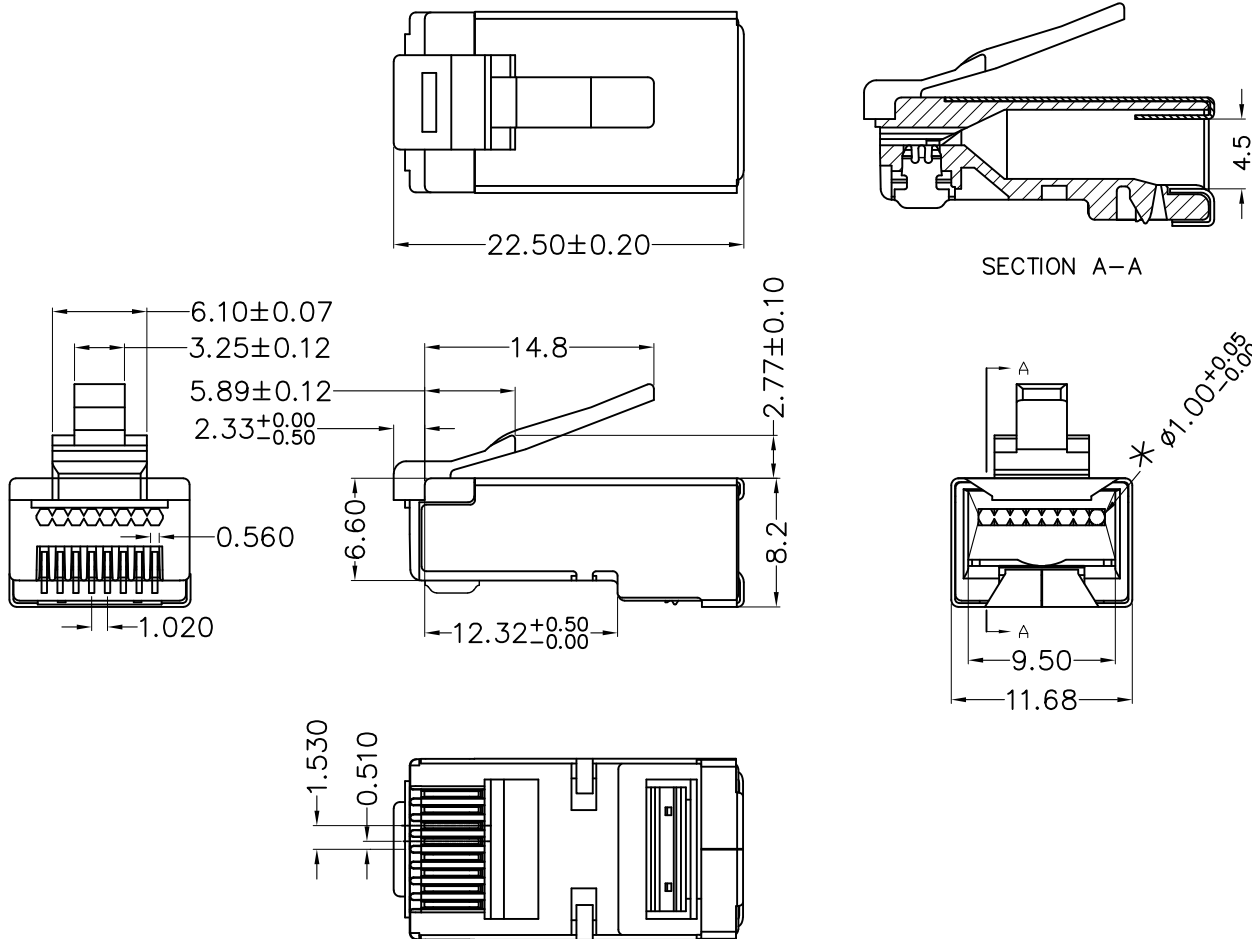


NOTE:ALL MATERIAL COMPLIANT ROHS STANDARD

11*1751****

REVISION INFORMATION

Rev.	Rev. Date	Modified By	Brief Description
01	2021.06.22	JING_LI	Change SPEC.
02	2024.05.09	JING_LI	Change SPEC.



NOTES:

- 1.Operation Temperature:-40℃~+85℃.
- 2.Electrial Characteristics:
 - 2.1>Rated Current:125V AC,1.5A@25℃.
 - 2.2>Contact Resistance:20mΩ Max.
 - 2.3>Insulation Resistance:500MΩ Min,100V DC/min.
 - 2.4>Voltage Proof: 1000V AC/1 minute no breakdown.
- 3.Mechanical Characteristics:
 - 3.1>Insertion Force & Withdrawal Force:30N Max.
 - 3.2>Durability:750 cycles Min.
- 4.Environmental compliance:
 - 4.1>the products are compliant with the RoHS, and REACH etc.
- 5.CONDUCTOR:STRANDED&SOLID WIRE,26AWG.
(It can be used for the wire OD fromØ0.96~Ø1.02mm.)

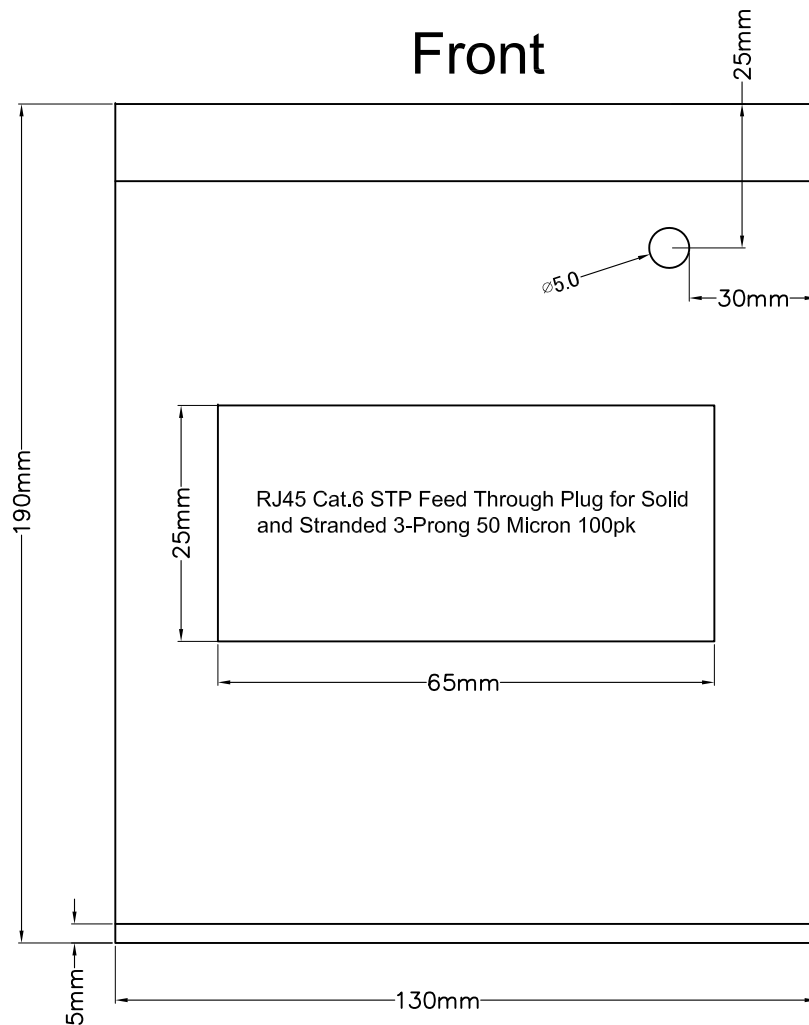
NO	NAME	QTY	PART NO.	DESCRIPTION	MATERIAL
1	Modular Plug	1PCS	43*20**09	Square hole Au: G/F" <input type="checkbox"/> 1u" <input type="checkbox"/> 3u" <input type="checkbox"/> Ni:80u" <input checked="" type="checkbox"/>	Brass <input checked="" type="checkbox"/> Spcc <input type="checkbox"/>
		8PCS	/	2Prongs <input type="checkbox"/> 3Prongs <input checked="" type="checkbox"/>	Brass <input checked="" type="checkbox"/> Phosphor copper <input type="checkbox"/>
		1PCS	21*1751**	Cat.6/FTP HOUSING/LONG BODY/SINGLE ROW	94V-2 <input checked="" type="checkbox"/> 94V-0 <input type="checkbox"/>
					ANGLE ±2°

DRAWN BY	DATE 2024.05.09	DESCRIPTION: RJ45 Cat.6 STP Feed Through Plug for Solid and Stranded 3-Prong 50 Micron 100pk
CHECKED BY	SHEET 1 of 3	ITEM NO:101411
APPROVED BY	SCALE 1:1	REV:02
		UNIT:mm

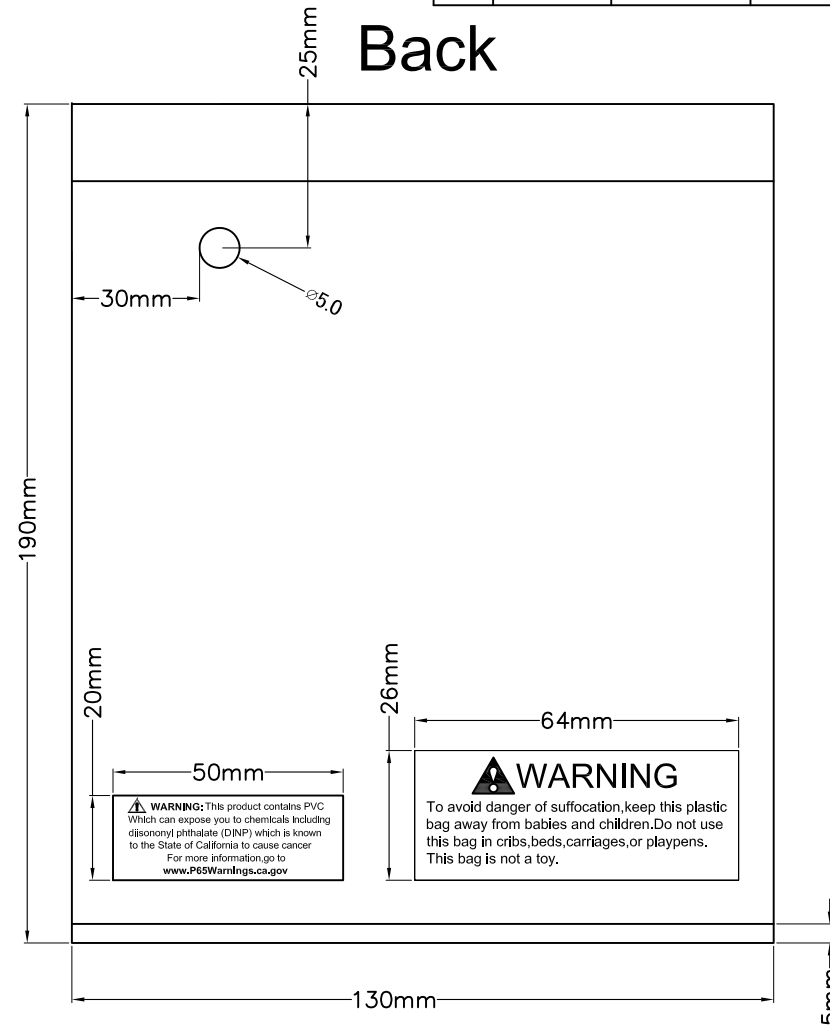
Polybag size: 130*190*0.06mm

Rev.	Rev. Date	Modified By	Brief Description
01	2021.06.22	JING_LI	Change SPEC.
02	2024.05.09	JING_LI	Change SPEC.

Front



Back



DRAWN BY	DATE 2024.05.09	DESCRIPTION: RJ45 Cat.6 STP Feed Through Plug for Solid and Stranded 3-Prong 50 Micron 100pk		
CHECKED BY	SHEET 2 of 3	ITEM NO:101411		
APPROVED BY	SCALE 1:1	REV:02	UNIT:mm	

NOTE:ALL MATERIAL COMPLIANT ROHS STANDARD

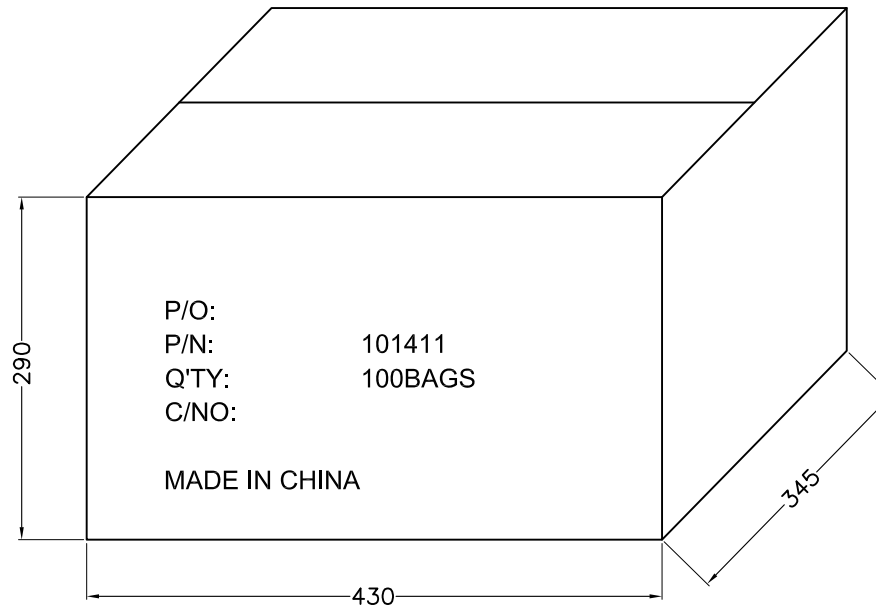
REVISION INFORMATION

Rev.	Rev. Date	Modified By	Brief Description
01	2021.06.22	JING_LI	Change SPEC.
02	2024.05.09	JING_LI	Change SPEC.

Main Mark

P/O:
P/N: 101411
Q'TY: 100BAGS
C/NO:

MADE IN CHINA



Side Mark

	P/N:	101411
	Q'TY:	100BAGS
	N.W:	KGS
	G.W:	KGS
	Date Code:	
	Vender Code:	

Carton Size: 430x345x290MM
Carton Quantity: 100BAGS

100PCS/PE BAG

100BAGS/CARTON



DRAWN BY	DATE 2024.05.09	DESCRIPTION: RJ45 Cat.6 STP Feed Through Plug for Solid and Stranded 3-Prong 50 Micron 100pk		
CHECKED BY	SHEET 3 of 3	ITEM NO:101411		
APPROVED BY	SCALE 1:1	REV:02	UNIT:mm	