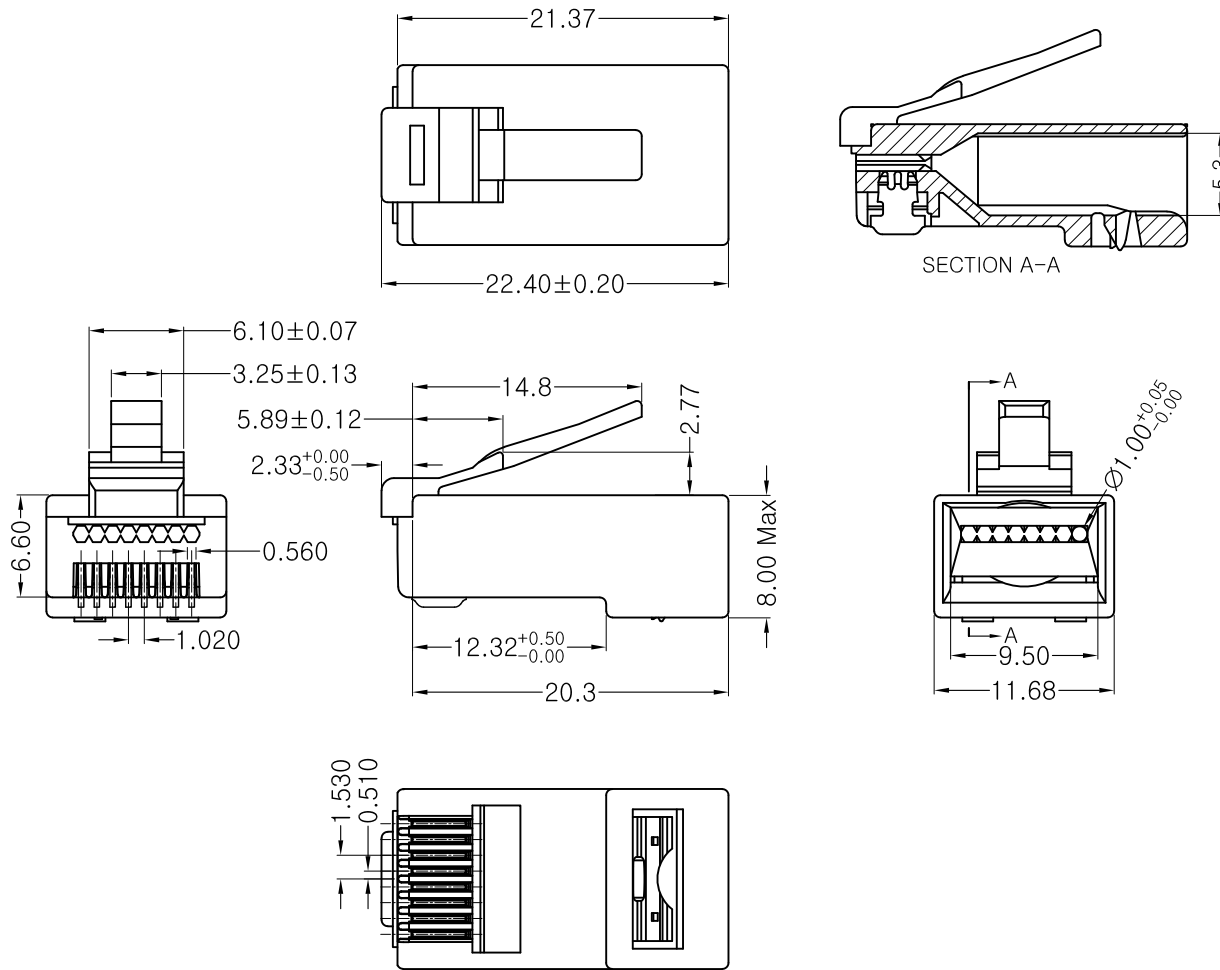


NOTE:ALL MATERIAL COMPLIANT ROHS STANDARD

10*2251****

REVISION INFORMATION

Rev.	Rev. Date	Modified By	Brief Description



NOTES:

- 1.Operation Temperature:-40℃~+85℃.
- 2.Electrial Characteristics:
 - 2.1>Rated Current:125V AC,1.5A@25℃.
 - 2.2>Contact Resistance:20mΩ Max.
 - 2.3>Insulation Resistance:500MΩ Min,100V DC/min.
 - 2.4>Voltage Proof: 1000V AC/1 minute no breakdown.
- 3.Mechanical Characteristics:
 - 3.1>Insertion Force & Withdrawal Force:30N Max.
 - 3.2>Durability:750 cycles Min.
- 4.Environmental compliance:
 - 4.1>the products are compliant with the RoHS, and REACH etc.
- 5.CONDUCTOR:STRANDED&SOLID WIRE,23AWG,24AWG.
(It can be used for the wire OD fromØ0.96~Ø1.02mm.)



1	Modular Plug	Contacts	8PCS	/	2Prongs <input type="checkbox"/>	G/F" <input type="checkbox"/>	1u" <input type="checkbox"/>	3u" <input type="checkbox"/>	6u" <input type="checkbox"/>	Brass <input checked="" type="checkbox"/>	DIMENSIONAL TOLERANCE
		Houslng	1PCS		20*2251**	Cat.6/UTP HOUSING/LONG BODY/SINGLE ROW	94V-2 <input checked="" type="checkbox"/>	94V-0 <input type="checkbox"/>	Phosphor copper <input type="checkbox"/>	X.X ±0.20 X.XX ±0.10 X.XXX ±0.05 ANGLE ±2°	
NO	NAME	QTY	PART NO.	DESCRIPTION	MATERIAL						

DRAWN BY	DATE 2020.06.16	DESCRIPTION: Easy-Connect RJ45 Cat.6 plug 1 line 3Prongs 50 Micron		
CHECKED BY	SHEET 1 of 3	ITEM NO:101410		
APPROVED BY	SCALE 1:1	REV:00	UNIT:mm	