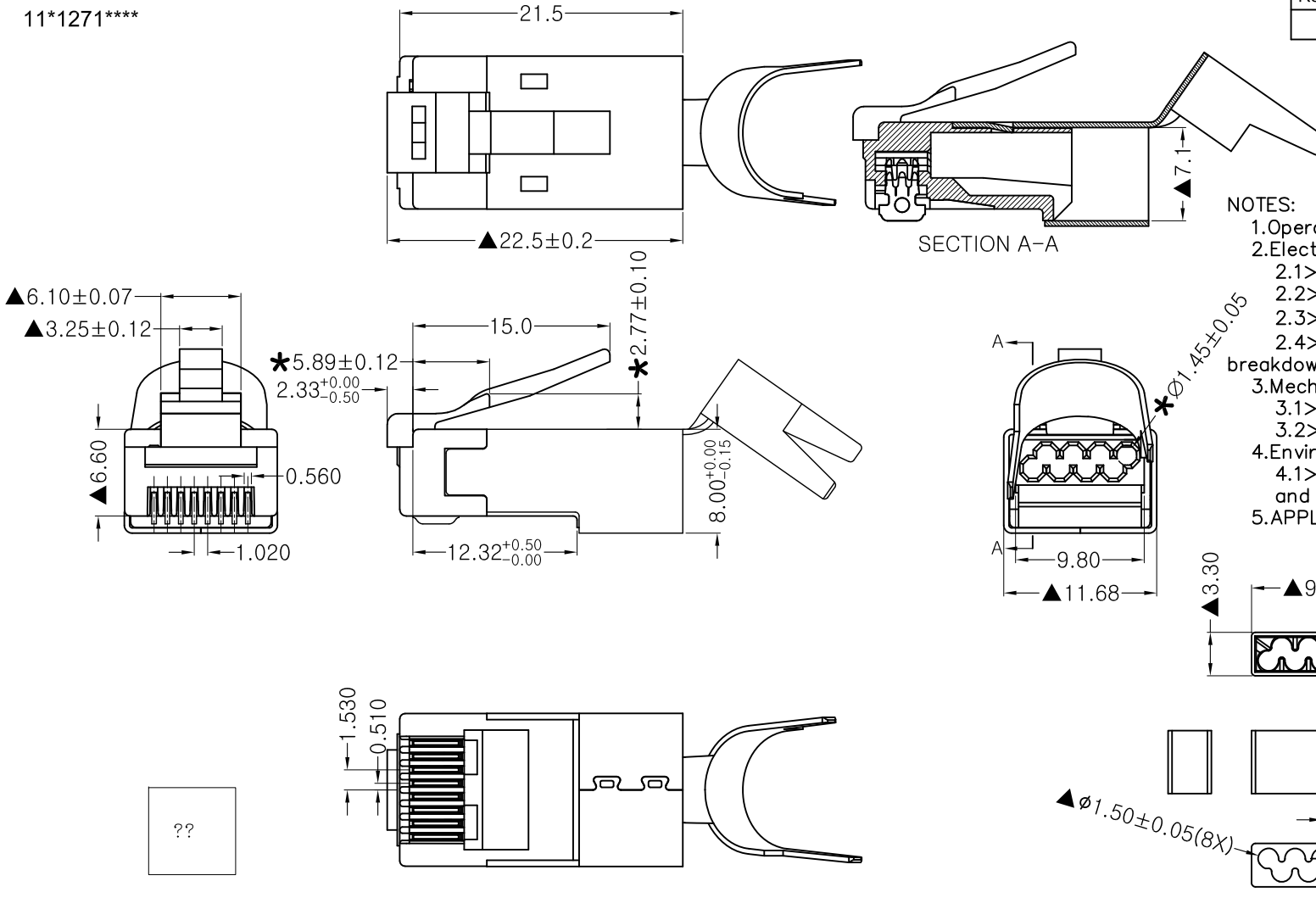


NOTE:ALL MATERIAL COMPLIANT ROHS STANDARD

REVISION INFORMATION

Rev.	Rev. Date	Modified By	Brief Description

11*1271****



NOTES:

- 1.Operation Temperature: -40℃~+85℃.
- 2.Electrical Characteristics:
 - 2.1>Rated Current:125V AC,1.5A@25℃.
 - 2.2>Contact Resistance:20mΩ Max.
 - 2.3>Insulation Resistance:500MΩ Min,100V DC/min.
 - 2.4>Voltage Proof: 1000V AC/1 minute no breakdown.
- 3.Mechanical Characteristics:
 - 3.1>Insertion Force & Withdrawal Force:30N Max.
 - 3.2>Durability:750 cycles Min.
- 4.Environmental compliance:
 - 4.1>the products are compliant with the RoHS, and REACH etc.
- 5.APPLY to OD:1.40~1.50mm.

NO	NAME	QTY	PART NO.	DESCRIPTION	MATERIAL	
2	Load Bar	1PCS	30*0444**	Load Bar,4Up and 4Down Ø1.50mm	Transparent PC	
1	Modular Plug	Shell	1PCS	45*40**06	Square hole Au: G/F" <input type="checkbox"/> 1u" <input type="checkbox"/> 3u" <input type="checkbox"/> Ni:80u" <input checked="" type="checkbox"/>	Brass <input checked="" type="checkbox"/> Spcc <input type="checkbox"/>
		Contacts	8PCS	/	2Prongs <input type="checkbox"/> 3Prongs <input checked="" type="checkbox"/>	Brass <input type="checkbox"/> Phosphor copper <input checked="" type="checkbox"/>
		Housing	1PCS	21*1271**	CAT6/FTP HOUSING/LONG BODY/4UP AND 4DOWN	94V-2 <input checked="" type="checkbox"/> 94V-0 <input type="checkbox"/>

DRAWN BY	DATE 2023.05.24	DESCRIPTION: RJ45 Cat.6 Shielded Plug Solid 50Micron 1.5mm dia 3Prong W/Inserter 100/tray
CHECKED BY	SHEET 1 of 3	ITEM NO:101408
APPROVED BY	SCALE 1:1	REV:00 UNIT:mm

DIMENSIONAL TOLERANCE
X.X ±0.20
X.XX ±0.10
X.XXX ±0.05
ANGLE ±2°